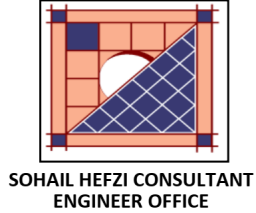


## Material Submittal



|                        |                         |                      |                |
|------------------------|-------------------------|----------------------|----------------|
| <b>OWNER:</b>          | ONE FOR INVESTMENT      | <b>Document No.:</b> | MS-Mech-F.F-05 |
| <b>CONSULTANT:</b>     | SOHAIL HEFZI CONSULTANT | <b>Date:</b>         | 25/12/2024     |
| <b>CONTRACTOR:</b>     | LUJAN MOON              | <b>Project No.:</b>  |                |
| <b>SUB CONTRACTOR:</b> | AZEIDK Co. for Safety   |                      |                |
| <b>PROJECT:</b>        | مشروع المدينة المنورة   |                      |                |
| <b>LOCATION:</b>       | المدينة المنورة         |                      |                |

**Description:**

Fire Valves (OS&Y Gate & Check) - American AFC - UL/FM

|   |                                  |                                 |   |                                 |
|---|----------------------------------|---------------------------------|---|---------------------------------|
| <input checked="" type="checkbox"/> Catalogue | <input type="checkbox"/> Drawing | <input type="checkbox"/> Sample | <input checked="" type="checkbox"/> Certificate | <input type="checkbox"/> Others |
|---|----------------------------------|---------------------------------|---|---------------------------------|

Having Checked this submittal, we certify it conforms to the requirements  
Of the contract Documents in all respects, except as otherwise indicated herein

.....

.....

.....

.....

.....

**ACTION**

- Approved As Noted
- Approved As Noted / Resubmittal Required
- Not Approved

**Remarks/Comments**

.....

.....

.....

.....

.....

| Profession                | Name | Signature | Review |
|---------------------------|------|-----------|--------|
| Site Manager              |      |           |        |
| Civil/Structural Engineer |      |           |        |
| Electrical Engineer       |      |           |        |
| Mechanical Engineer       |      |           |        |



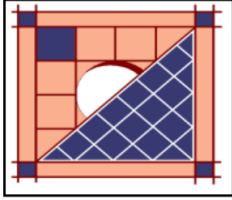
شركة أزيدك  
لأجهزة السلامة

## Project

مشروع المدينة المنورة



ون للاستثمار  
ONE FOR INVEST



SOHAIL HEFZI CONSULTANT  
ENGINEER OFFICE

SOHAIL HEFZI  
CONSULTANT  
ENGINEER OFFICE



شركة لجين القمر للاستثمار  
L. M. INVESTMENT  
LUJAN MOON



شركة أزيدك  
لأجهزة السلامة

Azeidk Co. for Safety

الإدارة: جدة - حي الصفا - شارع الأمير ماجد - الصفا بلازا - مبنى A الدور الثالث مكتب 340 - س.ت: 403026741 - هاتف -6342166- 0126880407 -

فاكس تحويلية: 111-:- 0581444606

المعرض 1: جدة - شارع البلدية - مركز الفاتوس | المعرض 2: مكة - شارع الحج

الفروع: الرياض - ينبع - المدينة - الطائف - خميس مشيط - الدمام

info@azeidk.com www.Azeidk.com



شركة أزيدك  
لأجهزة السلامة

## Title

Material Submittal for Fire  
Valves

## Brand

AMERICAN AFC



الإدارة: جدة - حي الصفا - شارع الأمير ماجد - الصفا بلازا - مبنى A الدور الثالث مكتب 340 - س.ت: 403026741 - هاتف -6342166- 0126880407 -

فاكس تحويلية: 111- :- 0581444606

المعرض 1: جدة - شارع البلدية - مركز الفانوس | المعرض 2: مكة - شارع الحج

الفروع: الرياض - ينبع - المدينة - الطائف - خميس مشيط - الدمام

info@azeidk.com www.Azeidk.com



شركة أزيدك  
لأجهزة السلامة

# Index

- **Technical Data Sheets (Catalogues).**
- **UL Listed.**
- **FM Approvals.**
- **Previous Approvals.**
- **Authorization Letter.**
- **Azeidk Co. Documents.**





شركة أزيدك  
لأجهزة السلامة

# *Technical Data Sheets (Catalogues).*

الإدارة: جدة - حي الصفا - شارع الأمير ماجد - الصفا بلازا - مبنى A الدور الثالث مكتب 340 - س.ت: 403026741 - هاتف -6342166- 0126880407 -

فاكس تحويلة: 111-: 0581444606

المعرض 1: جدة - شارع البلدية - مركز الفانوس | المعرض 2: مكة - شارع الحج  
الفروع: الرياض - ينبع - المدينة - الطائف - خميس مشيط - الدمام

info@azeidk.com www.Azeidk.com



# FIRE PROTECTION PRODUCTS

**AMERICAN FIRE CONTROL**

QUALITY IS A PRIORITY



## MISSION



## VISION



## IDENTITY



## VALUE



### Mission

American Fire Control aims to provide superior manufacturing and technical solutions for the commercial and industrial sector and its production processes by using very advance automated smart system.

### Vision

American Fire Control is guided by one overarching goal: deliver quality manufacturing solutions at a competitive rate and on time, every time. The American team is committed to exceeding its customers' expectations by always working with integrity, excellence, and a focused determination toward the accomplishment of the mission. The goal is to serve as an extension of our customers' teams by working closely with them to ensure mutual success.

### Identity

American Fire Control is proud to be a United States manufacturer. Strategically located in Orlando, FL. American fire control leverages the region's strong manufacturing base and highly skilled local workforce. Our team is made up of experienced industry leaders united by a shared vision. Each American team member is committed to continuous improvement, exceptional customer service, and is encouraged to support the community where we live. We foster an environment where team members are valued for their contributions to our success. AFC's investment in the retention of its employees is key to attaining our long-term goals and achieving growth as a major competitor in our market.

### Value

**Responsibility:** We take personal responsibility for all our work, actions, and decisions.

**Honesty and Integrity:** We are honest in all our business interactions with our co-workers and business partners and expect the same in return.

**Respect:** We treat others in a way that they feel respected.

**Excellence:** We strive to excel in everything we do. We are committed to producing high-quality products and services at a superior value for our customers.

**Humility:** We are grateful for our success and share our appreciation with our co-workers but do not seek public recognition.

**Innovation:** We encourage and value creative solutions to customer needs, business challenges, and a vision for the future.



## ABOUT US

At American Fire Control, we have a rich history dating back to 1925, when our company was established as a family-owned business in the state of Florida. Over the years, we have established ourselves as a premier manufacturer of fire protection products, primarily in the United States, through our unwavering commitment to quality, growth, innovation, and leadership.

In 1947, we took a significant step towards consolidating our control over every aspect of our business by constructing our own manufacturing and corporate headquarters. This allowed us to closely monitor and manage every phase of the product life cycle, from formulation and testing to marketing and distribution. This strategic move was critical in driving our consistent growth and fueling innovation in our product offerings.

The unwavering dedication and loyalty of our diverse team of employees is the cornerstone of our success. Each team member plays a crucial role in ensuring the smooth operation of our business and in delivering exceptional service and support to our valued customers.

At American Fire Control, we recognize the importance of forging strong relationships with our customers, and we take great pride in offering them a high level of personalized service and support. Our customers can trust that we will provide them with the highest quality of service, from the initial quote and manufacturing process to shipping and problem resolution.

Today, American Fire Control is operated by the fourth generation of our founding family, and our original goals of quality, growth, innovation, and leadership continue to guide us. These values form the core of our identity and will continue to shape our future as we strive to maintain our position as a leader in the fire protection industry.





## QUALITY IS A PRIORITY

American AFC is committed to delivering high-quality products to our customers. We understand that quality is of utmost importance to our clients, and we strive to ensure that every product we manufacture meets the highest standards of quality.

To achieve this goal, we have implemented a comprehensive quality management system that is designed to ensure that our products meet or exceed customer expectations. Our quality management system encompasses all aspects of our business, from product design and development to production and delivery.

We use only the highest quality raw materials and components in the manufacturing process, and our skilled and experienced team of professionals employs the latest techniques and technologies to produce products of exceptional quality. We also conduct rigorous testing and inspection at every stage of production to ensure that our products meet or exceed all applicable industry standards.

We are proud of our reputation for delivering high-quality products, and we are committed to continuously improving our processes and systems to ensure that we maintain this standard. Our dedication to quality is reflected in every product that we manufacture, and we are confident that our customers will appreciate the attention to detail and commitment to excellence that we bring to every project.

At American AFC, we understand that quality is the foundation of our success, and we are committed to maintaining the highest standards of quality in everything we do.



## Five-Year Limited Warranty

At American AFC, our top priority is our customers' satisfaction. We are a manufacturer of premium products, and we are proud to offer a comprehensive warranty.

Our Five-Year Limited Warranty supersedes all other warranties previously given and covers all American AFC products against manufacturing defects in material and workmanship, provided the products were installed and used in accordance with all applicable instructions and limitations issued by American AFC. In the unlikely event of a defect, American AFC will, at our sole discretion, repair or replace defective material, free of charge.

Please note that repairs or parts replaced under this warranty are warranted only throughout the remainder of the warranty period. This warranty is in the nature of liquidated damages to which the purchaser might otherwise be entitled at law or in equity.

It is important to note that American AFC is not liable for any claims for labor, installation costs, damages, or other special or consequential damages, including, but not limited to, loss of revenue or profits, or any other expenses incurred by reason of any products found to be defective. Additionally, American AFC is not liable for any incidental or consequential loss, damages, or expenses caused by any defects in the product, by repair of it, or arising directly or indirectly from its use.

Please be advised that this warranty does not apply if the product has been altered or repaired by others. American AFC will make no allowances or credit for such repairs or alterations unless first authorized in writing by American AFC.

In conclusion, this warranty is exclusive and in lieu of all other warranties, conditions, and representations, whether express or implied, oral or written, statutory, or otherwise. All other warranties, conditions, and representations are hereby canceled. At American AFC, we are committed to providing our customers with the highest quality products and excellent customer service.

# Fire protection Valves







The American A-3000 Flange OS&Y (Outside Screw and Yoke) Gate Valve is a reliable and robust valve designed for various industrial applications. This valve complies with the AWWA C515 standard ensuring high-quality performance and adherence to industry standards. It features a heavy-duty handwheel and attachment nut and high-quality graphite packing.

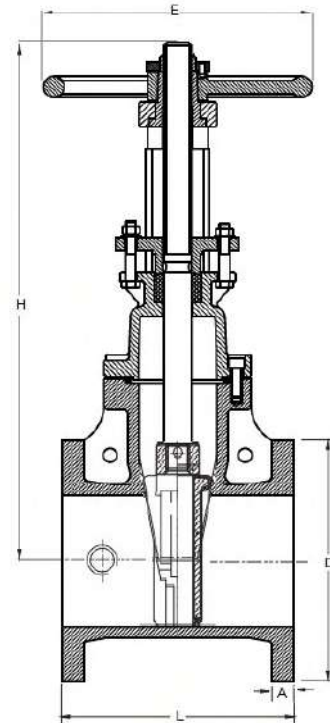


**SPECIFICATIONS**

- Complies with AWWA C515 standard
- Flanged end to ANSI B16.1 Class 125/ANSI B16.42 Class 150/BS EN1092-2 PN16
- Size Range: Available in sizes ranging from 2.5" to 12"
- Max working pressure: 300PSI (21 bar) /Max testing pressure: 600PSI (42bar)
- Working Temperature: 0°C to 80°C (32°F to 176°F)
- Fusion-bonded epoxy coating inside and outside complying with AWWA C550 standards
- Approvals: UL listed , FM approved

**PART LIST**

| ID | PART                  | MATERIAL                               |
|----|-----------------------|--|
| 1  | Valve Body            | Ductile Iron ASTM A536 65-45-12        |
| 2  | Resilient Wedge       | Ductile Iron ASTM A536/EPDM ASTM D2000 |
| 3  | Wedge Nut             | Stainless Steel 304                    |
| 4  | Dowel Pin             | Stainless Steel 304                    |
| 5  | Stem Back Seat O-Ring | EPDM ASTM D2000                        |
| 6  | Bonnet Gasket         | EPDM ASTM D2000                        |
| 7  | Bonnet                | Ductile Iron ASTM A536                 |
| 8  | Packing               | PTFE Graphite                          |
| 9  | Threaded Rod          | Stainless Steel 304                    |
| 10 | Gland                 | Ductile Iron ASTM A536 65-45-12        |
| 11 | Gland Nut             | Stainless Steel 304                    |
| 12 | Yoke                  | Ductile Iron ASTM A536 65-45-12        |
| 13 | Handwheel             | Ductile Iron ASTM A536 65-45-12        |
| 14 | Handwheel Nut         | C95400 Aluminum Bronze                 |
| 15 | Stem                  | Stainless Steel 304                    |
| 16 | Bolt                  | Stainless Steel 304                    |
| 17 | Yoke Screw            | C95400 Aluminum Bronze                 |
| 18 | NPT Plug              | C95400 Aluminum Bronze                 |



**DIMENSIONS**

| SIZE |     | L     |     | H OPEN |      | H CLOSED |      | A    |     | D     |     | E     |     |
|------|-----|-------|-----|--------|------|----------|------|------|-----|-------|-----|-------|-----|
| IN.  | MM. | IN.   | MM. | IN.    | MM.  | IN.      | MM.  | IN.  | MM. | IN.   | MM. | IN.   | MM. |
| 2.5  | 65  | 7.48  | 190 | 16.96  | 431  | 14.56    | 370  | 0.70 | 18  | 7     | 178 | 7.87  | 200 |
| 3    | 80  | 7.99  | 203 | 18.46  | 469  | 16.53    | 420  | 0.74 | 19  | 7.51  | 191 | 7.87  | 200 |
| 4    | 100 | 9.01  | 229 | 21.22  | 539  | 17.59    | 447  | 0.94 | 24  | 9.01  | 229 | 10.24 | 260 |
| 6    | 150 | 10.51 | 267 | 28.18  | 716  | 23.89    | 607  | 0.98 | 25  | 10.98 | 279 | 12.39 | 315 |
| 8    | 200 | 11.49 | 292 | 36.29  | 922  | 29.68    | 754  | 1.14 | 29  | 13.50 | 343 | 14.75 | 375 |
| 10   | 250 | 12.99 | 330 | 44.64  | 1134 | 35.03    | 890  | 1.18 | 30  | 15.98 | 406 | 16.37 | 416 |
| 12   | 300 | 14.01 | 356 | 51.96  | 1320 | 40.59    | 1031 | 1.25 | 32  | 19.01 | 483 | 17.51 | 445 |

**WEIGHTS**

| VALVE SIZE     | 2.5"      | 3"      | 4"        | 6"         | 8"         | 10"         | 12"         |
|----------------|-----------|---------|-----------|------------|------------|-------------|-------------|
| WEIGHT LB (KG) | 46.3 (21) | 64 (29) | 79.4 (36) | 136.7 (62) | 213.8 (97) | 315.3 (143) | 425.5 (193) |

All information contained herein is supplied by manufacturer and deemed to be accurate. Information is subject to change without notice. Purchaser is responsible for proper installation, use and maintenance of product. American Fire Control USA, LLC. passes on manufacturer's warranty but extends no other warranty. All products sold by American Fire Control USA, LLC. are subject to its full terms and conditions of sales as published and available on request. Any warranty made extends to original purchaser and is not assignable or transferable.





The American AG-3000 Grooved OS&Y (Outside Screw and Yoke) Gate Valve is a reliable and robust valve designed for various industrial applications. This valve complies with the AWWA C515 standard ensuring high-quality performance and adherence to industry standards. It features a heavy-duty handwheel and attachment nut and high-quality graphite.

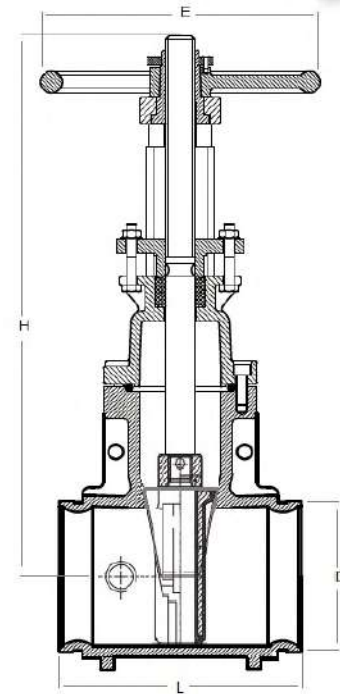


**SPECIFICATIONS**

- Complies with AWWA C515 standard
- End Connections: Groove to AWWA C606
- Size Range: Available in sizes ranging from 2.5" to 12"
- Max working pressure: 300PSI (21 bar) /Max testing pressure: 600PSI (42bar)
- Working Temperature: 0°C to 80°C (32°F to 176°F)
- Fusion-bonded epoxy coating inside and outside complying with AWWA C550 standards
- Approvals: UL listed , FM approved

**PART LIST**

| ID | PART                  | MATERIAL                               |
|----|-----------------------|--|
| 1  | Valve Body            | Ductile Iron ASTM A536 65-45-12        |
| 2  | Resilient Wedge       | Ductile Iron ASTM A536/EPDM ASTM D2000 |
| 3  | Wedge Nut             | Stainless Steel 304                    |
| 4  | Dowel Pin             | Stainless Steel 304                    |
| 5  | Stem Back Seat O-Ring | EPDM ASTM D2000                        |
| 6  | Bonnet Gasket         | EPDM ASTM D2000                        |
| 7  | Bonnet                | Ductile Iron ASTM A536                 |
| 8  | Packing               | PTFE Graphite                          |
| 9  | Threaded Rod          | Stainless Steel 304                    |
| 10 | Gland                 | Ductile Iron ASTM A536 65-45-12        |
| 11 | Gland Nut             | Stainless Steel 304                    |
| 12 | Yoke                  | Ductile Iron ASTM A536 65-45-12        |
| 13 | Handwheel             | Ductile Iron ASTM A536 65-45-12        |
| 14 | Handwheel Nut         | C95400 Aluminum Bronze                 |
| 15 | Stem                  | Stainless Steel 304                    |
| 16 | Bolt                  | Stainless Steel 304                    |
| 17 | Yoke Screw            | C95400 Aluminum Bronze                 |
| 18 | NPT Plug              | C95400 Aluminum Bronze                 |



**DIMENSIONS**

| SIZE |     | L     |     | H OPEN |      | H CLOSED |      | E     |     | D     |       |
|------|-----|-------|-----|--------|------|----------|------|-------|-----|-------|-------|
| IN.  | MM. | IN.   | MM. | IN.    | MM.  | IN.      | MM.  | IN.   | MM. | IN.   | MM.   |
| 2.5  | 65  | 7.48  | 190 | 16.96  | 431  | 14.56    | 370  | 7.87  | 200 | 2.99  | 76    |
| 3    | 80  | 7.99  | 203 | 18.46  | 469  | 16.53    | 420  | 7.87  | 200 | 3.5   | 88.9  |
| 4    | 100 | 9.01  | 229 | 21.22  | 539  | 17.59    | 447  | 10.24 | 260 | 4.5   | 114.3 |
| 6    | 150 | 10.51 | 267 | 28.18  | 716  | 23.89    | 607  | 12.39 | 315 | 6.62  | 168.3 |
| 8    | 200 | 11.49 | 292 | 36.29  | 922  | 29.68    | 754  | 14.75 | 375 | 8.62  | 219.1 |
| 10   | 250 | 12.99 | 330 | 44.64  | 1134 | 35.03    | 890  | 16.37 | 416 | 10.74 | 273   |
| 12   | 300 | 14.01 | 356 | 51.96  | 1320 | 40.59    | 1031 | 17.51 | 445 | 12.75 | 323.9 |

**WEIGHTS**

| VALVE SIZE     | 2.5"       | 3"       | 4"       | 6"        | 8"        | 10"        | 12"        |
|----------------|------------|----------|----------|-----------|-----------|------------|------------|
| WEIGHT LB (KG) | 36.4(16.5) | 48.5(22) | 57.3(26) | 105.8(48) | 158.7(72) | 240.3(109) | 337.3(153) |

All information contained herein is supplied by manufacturer and deemed to be accurate. Information is subject to change without notice. Purchaser is responsible for proper installation, use and maintenance of product. American Fire Control USA, LLC. passes on manufacturer's warranty but extends no other warranty. All products sold by American Fire Control USA, LLC. are subject to its full terms and conditions of sales as published and available on request. Any warranty made extends to original purchaser and is not assignable or transferable.





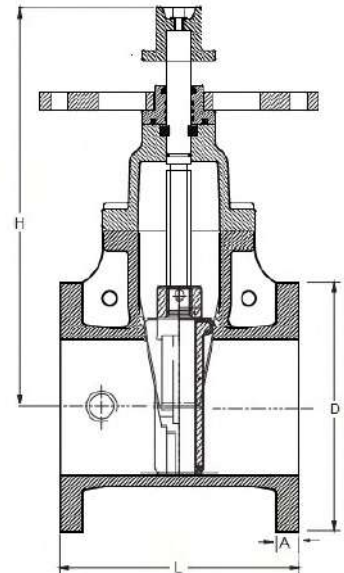
### SPECIFICATIONS

- Complies with AWWA C515 standard
- Non-rising stem
- Triple O-rings stem seal
- NPT plug, 2" operating nut
- Flanged end to ANSI B16.1 Class 125/ANSI B16.42 Class 150/BS EN1092-2 PN16
- Size Range: Available in sizes ranging from 4" to 12" include indicator post plate
- Max working pressure: 300PSI (21 bar) /Max testing pressure: 600PSI (42bar)
- Working Temperature: 0°C to 80°C (32°F to 176°F)
- Fusion-bonded epoxy coating inside and outside complying with AWWA C550 standards
- Approvals: UL listed , FM approved



### PART LIST

| ID | PART                       | MATERIAL                               |
|----|----------------------------|--|
| 1  | Valve Body                 | Ductile Iron ASTM A536 65-45-12        |
| 2  | Resilient Wedge            | Ductile Iron ASTM A536/EPDM ASTM D2000 |
| 3  | Wedge Nut                  | Stainless Steel 304                    |
| 4  | Stem                       | Stainless Steel 304                    |
| 5  | Bonnet Gasket              | EPDM ASTM D2000                        |
| 6  | Bolt                       | Stainless Steel 304                    |
| 7  | Bonnet                     | Ductile Iron ASTM A536 65-45-12        |
| 8  | Stem Back Seat O-Ring      | EPDM ASTM D2000                        |
| 9  | Stem Thrust Washer (lower) | ASTM B584                              |
| 10 | Stem Thrust Washer (Upper) | Stainless Steel 304                    |
| 11 | Gland Seal O-Ring          | EPDM ASTM D2000                        |
| 12 | NPT Plug                   | C95400 Aluminum Bronze                 |
| 13 | Stem Secondary O-Ring      | EPDM ASTM D2000                        |
| 14 | Gland Flange               | Ductile Iron ASTM A536 65-45-12        |
| 15 | Stem Ring Wiper            | EPDM ASTM D2000                        |
| 16 | Square Operating Nut       | Ductile Iron ASTM A536 65-45-12        |
| 17 | Flat Washer                | Stainless Steel 304                    |
| 18 | Operating Nut Screw        | Stainless Steel 304                    |
| 19 | Sealing Gland              | EPDM ASTM D2000                        |
| 20 | Indicator Flange Screw     | Stainless Steel 304                    |
| 21 | Indicator Post Flange      | Ductile Iron ASTM A536 65-45-12        |



### DIMENSIONS

| SIZE | L   |     | H     |     | A     |     | D    |      | No. Holes |     |    |
|------|-----|-----|-------|-----|-------|-----|------|------|-----------|-----|----|
|      | IN. | MM. | IN.   | MM. | IN.   | MM. | IN.  | MM.  |           |     |    |
| 4    | 100 | 254 | 9.01  | 229 | 13.46 | 342 | 0.94 | 23.9 | 9.01      | 229 | 8  |
| 6    | 150 | 381 | 10.51 | 267 | 17.63 | 448 | 1.00 | 25.4 | 10.98     | 279 | 8  |
| 8    | 200 | 508 | 11.49 | 292 | 21.02 | 534 | 1.12 | 28.7 | 13.50     | 343 | 8  |
| 10   | 250 | 635 | 12.99 | 330 | 25.00 | 635 | 1.18 | 30.2 | 15.98     | 406 | 12 |
| 12   | 300 | 762 | 14.01 | 356 | 28.34 | 720 | 1.25 | 31.8 | 19.01     | 483 | 12 |

### WEIGHTS

| VALVE SIZE     | 4"           | 6"          | 8"          | 10"          | 12"          |
|----------------|--------------|-------------|-------------|--------------|--------------|
| WEIGHT LB (KG) | 78.26 (35.5) | 125.66 (57) | 200.62 (91) | 282.19 (128) | 379.19 (172) |

All information contained herein is supplied by manufacturer and deemed to be accurate. Information is subject to change without notice. Purchaser is responsible for proper installation, use and maintenance of product. American Fire Control USA, LLC. passes on manufacturer's warranty but extends no other warranty. All products sold by American Fire Control USA, LLC. are subject to its full terms and conditions of sales as published and available on request. Any warranty made extends to original purchaser and is not assignable or transferable.







The American A-3150 Swing check valves are designed only for fire protection services, also referred to as non-return, retention, or one-way valve, a check valve is designed to only allow the flow of water in one direction, a swing type clapper is found inside the valve which is spring loaded preventing water from flowing in a return direction.

**SPECIFICATIONS**

- Meet or exceed the requirements of AWWA C508 Standard,
- Full waterway designed
- Max working pressure:300PSI (21 bar) /Max testing pressure 600PSI (42bar)
- Approvals:UL listed, FM approved
- Flanged ends to ANSI B 16.1 class 125 or ANSI B16.42 class 150
- Min/Max working temperature: 0°C to 80°C (32°F to 176°F)

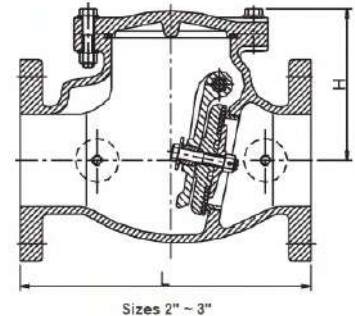


**COATINGS**

- The interior and exterior of the valve coated with fusion-bonded epoxy in accordance with ANSI/AWWA C550

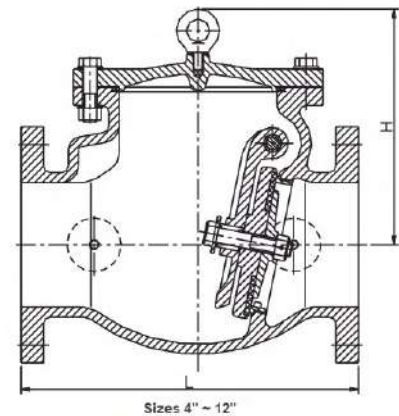
**PART LIST**

| ID | PART            | MATERIAL                         |
|----|-----------------|----------------------------------|
| 1  | Valve Body      | Ductile Iron ASTM, A536 65-45-12 |
| 2  | Cover           | Ductile Iron ASTM, A536 65-45-12 |
| 3  | Gasket          | EPDM ASTM D2000                  |
| 4  | Clapper Arm     | Ductile Iron ASTM, A536 65-45-12 |
| 5  | Disc Ring       | EPDM ASTM D2000                  |
| 6  | Disc            | Ductile Iron ASTM, A536 65-45-12 |
| 7  | Retainer Washer | Bronze ASTM A148                 |
| 8  | Hinge Pin       | Stainless Steel ASTM A276, 304   |
| 9  | Pin Plug        | Stainless Steel ASTM A276, 304   |
| 10 | Seat Ring       | Bronze ASTM A148                 |



**DIMENSIONS**

| IN   | DN    | L     | H     |
|------|-------|-------|-------|
| 2"   | DN50  | 8"    | 5.6"  |
| 2.5" | DN65  | 8.5"  | 5.8"  |
| 3"   | DN80  | 9.5"  | 6.4"  |
| 4"   | DN100 | 11.5" | 6.8"  |
| 6"   | DN150 | 14"   | 9.2"  |
| 8"   | DN200 | 19.5" | 11.8" |
| 10"  | DN250 | 24.5" | 13.7" |
| 12"  | DN300 | 27.5" | 16.5" |



**WEIGHTS**

| VALVE SIZE            | 2"     | 2.5"   | 3"     | 4"     | 6"      | 8"       | 10"      | 12"      |
|-----------------------|--------|--------|--------|--------|---------|----------|----------|----------|
| <b>WEIGHT LB (KG)</b> | 33(15) | 44(20) | 55(25) | 75(34) | 143(65) | 251(114) | 408(185) | 617(280) |

All information contained herein is supplied by manufacturer and deemed to be accurate. Information is subject to change without notice. Purchaser is responsible for proper installation, use and maintenance of product. American Fire Control USA, LLC, passes on manufacturer's warranty but extends no other warranty. All products sold by American Fire Control USA, LLC, are subject to its full terms and conditions of sales as published and available on request. Any warranty made extends to original purchaser and is not assignable or transferable.





The American A-3500 Grooved swing check valves are designed to exclusively permit the flow of water in one direction. Inside the valve a swing-type clapper equipped with a spring mechanism ensures that water can only move in the intended direction preventing any backflow. This critical feature is essential for maintaining the effectiveness and reliability of fire protection systems.



**SPECIFICATIONS**

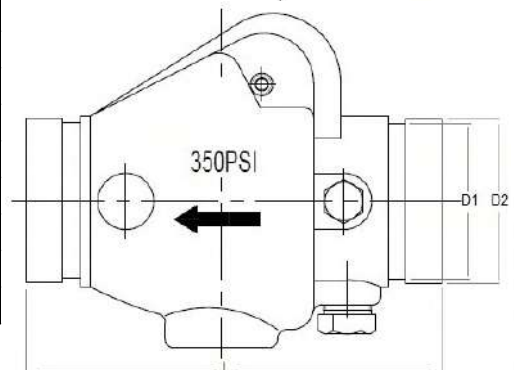
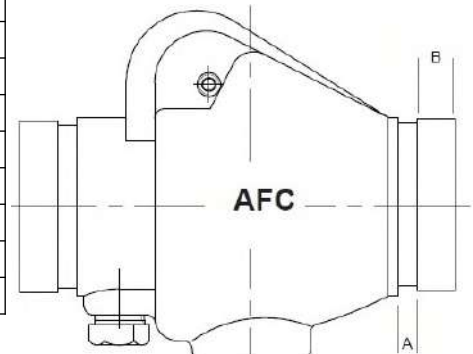
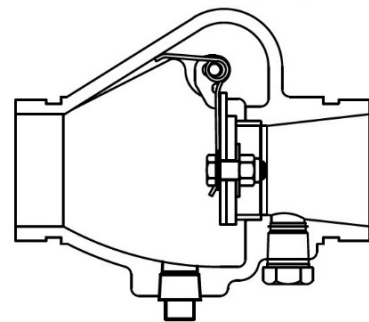
- Grooved dimensions comply with metric or AWWA C606 standard
- Max working pressure:350PSI (24 bar) /Max testing pressure 700PSI (48 bar)
- Approvals: UL listed, FM approved
- Min/Max working temperature: 0°C to 80°C (32°F to 176°F)
- Application: indoor and outdoor use
- Installation: horizontal or vertical

**COATINGS**

- The interior and exterior of the valve coated with fusion-bonded epoxy in accordance with ANSI/AWWA C550 or painting according to request

**PART LIST**

| ID | PART          | MATERIAL                         |
|----|---------------|----------------------------------|
| 1  | Valve Body    | Ductile Iron ASTM, A536 65-45-12 |
| 2  | Clapper       | Stainless Steel ASTM A276, 304   |
| 3  | Coil Spring   | Stainless Steel ASTM A276, 304   |
| 4  | Nut           | Stainless Steel ASTM A276, 304   |
| 5  | Bolt          | Stainless Steel ASTM A276, 304   |
| 6  | Spring Washer | Stainless Steel ASTM A276, 304   |
| 7  | Seal Ring     | EPDM ASTM D2000                  |
| 8  | Seat          | Bronze , C95400                  |
| 9  | Drain Plug    | Stainless Steel ASTM A276, 304   |
| 10 | Pin Plug      | Stainless Steel ASTM A276, 304   |
| 11 | Gasket        | EPDM ASTM D2000                  |
| 12 | Hinge Pin     | Stainless Steel ASTM A276, 304   |



**DIMENSIONS**

| IN   | DN    | A     | B     | D1     | D2     | L      |
|------|-------|-------|-------|--------|--------|--------|
| 2"   | DN50  | 0.31" | 0.63" | 2.25"  | 2.37"  | 6.65"  |
| 2.5" | DN65  | 0.31" | 0.63" | 2.84"  | 2.99"  | 7.12"  |
| 3"   | DN80  | 0.31" | 0.63" | 3.34"  | 3.50"  | 7.79"  |
| 4"   | DN100 | 0.37" | 0.63" | 4.33"  | 4.50"  | 8.42"  |
| 6"   | DN150 | 0.37" | 0.63" | 6.33"  | 6.62"  | 10.63" |
| 8"   | DN200 | 0.44" | 0.75" | 8.44"  | 8.63"  | 12.80" |
| 10"  | DN250 | 0.50" | 0.75" | 10.75" | 10.55" | 17.99" |
| 12"  | DN300 | 0.50" | 0.75" | 12.75" | 12.53" | 21.06" |

**WEIGHTS**

| VALVE SIZE | 2"     | 2.5"   | 3"     | 4"     | 6"      | 8"      | 10"     | 12"     |
|------------|--------|--------|--------|--------|---------|---------|---------|---------|
| WEIGHT LB  | 6.17   | 10.14  | 13.66  | 19.62  | 44.75   | 78.70   | 124.12  | 173.72  |
| (KG)       | (2.80) | (4.60) | (6.20) | (8.90) | (20.30) | (35.70) | (56.30) | (78.80) |

All information contained herein is supplied by manufacturer and deemed to be accurate. Information is subject to change without notice. Purchaser is responsible for proper installation, use and maintenance of product. American Fire Control USA, LLC. passes on manufacturer's warranty but extends no other warranty. All products sold by American Fire Control USA, LLC. are subject to its full terms and conditions of sales as published and available on request. Any warranty made extends to original purchaser and is not assignable or transferable.





**SPECIFICATIONS**

- Design standard: API609
- EPDM encapsulated ductile iron disc for bubble-tight shut off
- Flag type position indicator
- Low torque operation
- High cycle life
- Built-in supervisory switch
- Top gearbox mounting flange to ISO 5211
- Groove dimension in accordance with AWWA C606
- Working pressure: 300PSI (21 bars)
- Working temperature: 0°C to 80°C (32°F to 176°F)
- Fusion bonded epoxy powder coated to AWWA C550
- UL listed / FM approved for indoor or outdoor use

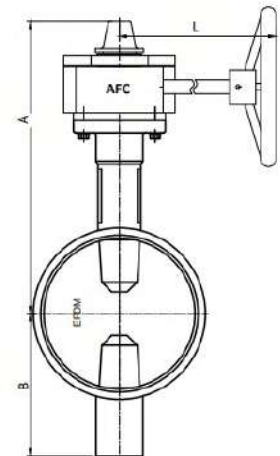
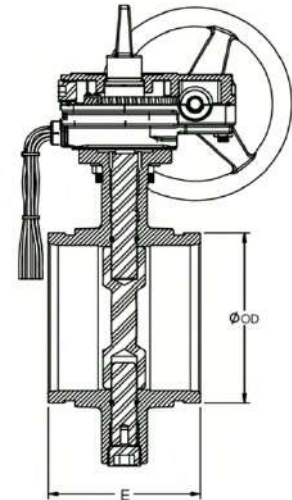


**PART LIST**

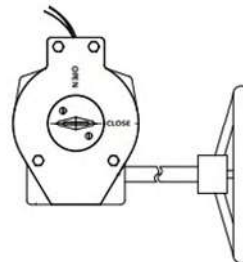
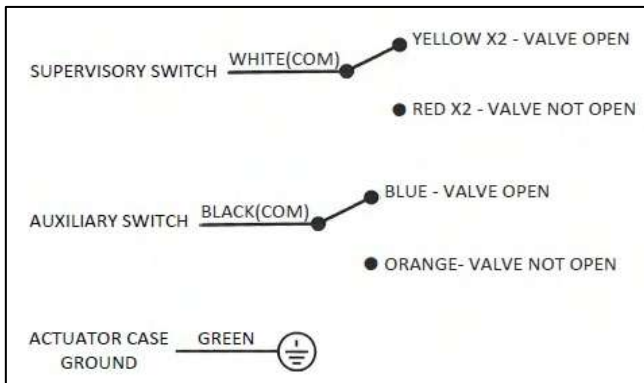
| PART          | SPECIFICATION/MATERIAL |                                  |
|---------------|------------------------|----------------------------------|
| Valve         | Valve Body             | Ductile Iron, ASTM A536 65-45-12 |
|               | Stem Shaft             | Stainless Steel 416              |
|               | Disc                   | Ductile Iron EPDM encapsulated   |
|               | Stem O-rings           | EPDM                             |
| Gear Operator | Housing                | Ductile Iron, ASTM A536 65-45-12 |
|               | Cover                  | Ductile Iron, ASTM A536 65-45-12 |
|               | Worm                   | Carbon Steel, AISI 1045          |
|               | Worm Gear              | Ductile Iron, ASTM A536 65-45-12 |
|               | Handwheel              | Ductile Iron, ASTM A536 65-45-12 |

**DIMENSIONS & WEIGHTS**

| SIZE |     | OD     | A      | B     | E     | L     | WEIGHT<br>KG |
|------|-----|--------|--------|-------|-------|-------|--------------|
| IN.  | MM. |        |        |       |       |       |              |
| 2"   | 50  | 2.37"  | 8.70"  | 3.35" | 3.46" | 6.02" | 7.80         |
| 2.5" | 65  | 2.87"  | 9.29"  | 3.74" | 3.80" | 6.02" | 8.40         |
| 3"   | 80  | 3.50"  | 9.88"  | 3.95" | 3.82" | 6.02" | 8.60         |
| 4"   | 100 | 4.50"  | 10.66" | 3.95" | 4.53" | 6.02" | 10.10        |
| 6"   | 150 | 6.63"  | 11.85" | 5.51" | 5.21" | 6.02" | 14.20        |
| 8"   | 200 | 8.63"  | 14.01" | 6.88" | 5.80" | 8.27" | 28.70        |
| 10"  | 250 | 10.75" | 15.19" | 7.87" | 6.26" | 8.27" | 61.00        |
| 12"  | 300 | 12.75" | 18.14" | 9.44" | 6.50" | 9.80" | 73.00        |



**WIRING DIAGRAM**



All information contained herein is supplied by manufacturer and deemed to be accurate. Information is subject to change without notice. Purchaser is responsible for proper installation, use and maintenance of product. American Fire Control USA, LLC. passes on manufacturer's warranty but extends no other warranty. All products sold by American Fire Control USA, LLC. are subject to its full terms and conditions of sales as published and available on request. Any warranty made extends to original purchaser and is not assignable or transferable.







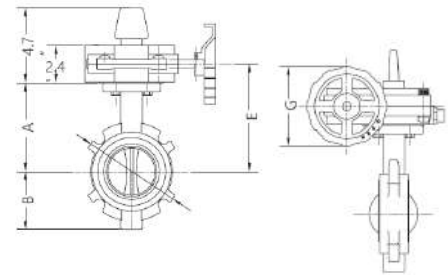
**SPECIFICATIONS**

- Design Standard: MSS-SP-67 & API 609
- EPDM Encapsulated ductile iron disc for bubble-tight shut off
- Flag type position indicator
- Low torque operation
- High cycle life
- Built-in supervisory switch
- Top flange to ISO 5211/1
- Flange connection to ANSI B16.1 Class 125/ANSI B16.5 Class 150
- Working Pressure: 2" ~12": 300 psi
- Working Temperature: 33°F to 176°F (0°C to 80°C)
- Fusion bonded epoxy powder coated to AWWA C550.
- UL Listed / FM Approved for indoor or outdoor use.



**PART LIST**

| PART          |               | SPECIFICATION/MATERIAL           |
|---------------|---------------|----------------------------------|
| Valve         | Valve Body    | Ductile Iron, ASTM A536 65-45-12 |
|               | Stem Shaft    | Stainless Steel 416              |
|               | Disc          | Ductile Iron EPDM encapsulated   |
|               | Stem O-rings  | EPDM                             |
|               | End Face Seal | EPDM                             |
| Gear Operator | Housing       | Ductile Iron, ASTM A536 65-45-12 |
|               | Cover         | Cast Iron, ASTM A126 Class B     |
|               | Worm          | Carbon Steel, AISI 1045          |
|               | Worm Gear     | Ductile Iron, ASTM A536 65-45-12 |
|               | Handwheel     | Ductile Iron, ASTM A536 65-45-12 |

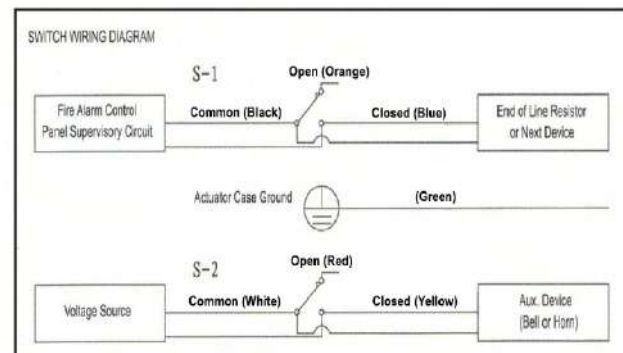


**DIMENSIONS**

| SIZE   |     | A      | B     | C     | E     | L     |
|--------|-----|--------|-------|-------|-------|-------|
| IN.    | MM. |        |       |       |       |       |
| 2"     |     | 5.52"  | 2.56" | 4.82" | 1.69" | 5"    |
| 2-1/2" | 65  | 6.02"  | 2.80" | 4.82" | 1.81" | 5"    |
| 3"     | 80  | 6.20"  | 3.19" | 4.82" | 1.81" | 5"    |
| 4"     | 100 | 6.93"  | 3.74" | 4.82" | 2.05" | 5"    |
| 6"     | 150 | 7.97"  | 5.24" | 4.82" | 2.20" | 5"    |
| 8"     | 200 | 9.59"  | 6.46" | 4.82" | 2.36" | 7.28" |
| 10"    | 250 | 10.75" | 7.72" | 4.82" | 2.68" | 7.28" |
| 12"    | 300 | 12.24" | 8.90" | 5.20" | 3.07" | 7.97" |

**TORQUE**

| Size   | Maximum Torque Value (300 PSI) (N.M.) |
|--------|---------------------------------------|
| 2"     | 5                                     |
| 2-1/2" | 5                                     |
| 3"     | 5                                     |
| 4"     | 6                                     |
| 6"     | 20                                    |
| 8"     | 21                                    |
| 10"    | 35                                    |
| 12"    | 40                                    |



All information contained herein is supplied by manufacturer and deemed to be accurate. Information is subject to change without notice. Purchaser is responsible for proper installation, use and maintenance of product. American Fire Control USA, LLC. passes on manufacturer's warranty but extends no other warranty. All products sold by American Fire Control USA, LLC. are subject to its full terms and conditions of sales as published and available on request. Any warranty made extends to original purchaser and is not assignable or transferable.







**AMERICAN  
FIRE CONTROL**  
QUALITY IS A PRIORITY



[www.american-afc.com](http://www.american-afc.com)



شركة أزيدك  
لأجهزة السلامة

# ***UL Listed.***

الإدارة: جدة - حي الصفا - شارع الأمير ماجد - الصفا بلازا - مبنى A الدور الثالث مكتب 340 - س.ت: 403026741 - هاتف -6342166- 0126880407 -

فاكس تحويلة: 111-: 0581444606

المعرض 1: جدة - شارع البلدية - مركز الفانوس | المعرض 2: مكة - شارع الحج

الفروع: الرياض - ينبع - المدينة - الطائف - خميس مشيط - الدمام

www.Azeidk.com info@azeidk.com

# Gate Valves

## COMPANY

### American Fire Control LLC

255 S Orange Ave  
Orlando, FL 32801 United States

EX28964

*View model for additional information*

Model(s): [A-2000](#), [A-2100](#), [A-3000](#), [A-3100](#), [AFG-2000](#), [AFG-2100](#), [AFG-3000](#), [AFG-3100](#), [AG-2000](#), [AG-2100](#), [AG-3000](#), [AG-3100](#), [AMJ-3000](#), [AMJF-3000](#)

Last Updated on 2023-05-24

The appearance of a company's name or product in this database does not in itself assure that products so identified have been manufactured under UL Solutions' Follow - Up Service. Only those products bearing the UL Mark should be considered to be Certified and covered under UL Solutions' Follow - Up Service. Always look for the Mark on the product.

UL Solutions permits the reproduction of the material contained in Product iQ subject to the following conditions: 1. The Guide Information, Assemblies, Constructions, Designs, Systems, and/or Certifications (files) must be presented in their entirety and in a non-misleading manner, without any manipulation of the data (or drawings). 2. The statement "Reprinted from Product iQ with permission from UL Solutions" must appear adjacent to the extracted material. In addition, the reprinted material must include a copyright notice in the following format: "©2024 UL LLC."

## Cookies on UL Solutions

We use cookies to personalize content and ads, to provide social media features and to analyze our traffic. We also share information about your use of our site with our social media, advertising and analytics partners. [Learn more](#)

Cookies Settings

Reject All

Accept All Cookies

# Check Valves

## COMPANY

**American Fire Control LLC**

255 S Orange Ave  
Orlando, FL 32801 United States

EX28962

*View model for additional information*

**Swing**, Model(s): [A-3150](#), [AF-3500](#), [AFG-3500](#), [AFG-3501](#), [AG-3500](#)

Last Updated on 2023-02-10

The appearance of a company's name or product in this database does not in itself assure that products so identified have been manufactured under UL Solutions' Follow - Up Service. Only those products bearing the UL Mark should be considered to be Certified and covered under UL Solutions' Follow - Up Service. Always look for the Mark on the product.

UL Solutions permits the reproduction of the material contained in Product iQ subject to the following conditions: 1. The Guide Information, Assemblies, Constructions, Designs, Systems, and/or Certifications (files) must be presented in their entirety and in a non-misleading manner, without any manipulation of the data (or drawings). 2. The statement "Reprinted from Product iQ with permission from UL Solutions" must appear adjacent to the extracted material. In addition, the reprinted material must include a copyright notice in the following format: "©2024 UL LLC."

### Cookies on UL Solutions

We use cookies to personalize content and ads, to provide social media features and to analyze our traffic. We also share information about your use of our site with our social media, advertising and analytics partners. [Learn more](#)

Cookies Settings

Reject All

Accept All Cookies

## Butterfly Valves

### COMPANY

#### American Fire Control LLC

255 S Orange Ave  
Orlando, FL 32801 United States

EX28961

*View model for additional information*

**Butterfly Valve**, Model(s): [BFG-300](#), [BFW-300](#)

Last Updated on 2023-08-30

The appearance of a company's name or product in this database does not in itself assure that products so identified have been manufactured under UL Solutions' Follow - Up Service. Only those products bearing the UL Mark should be considered to be Certified and covered under UL Solutions' Follow - Up Service. Always look for the Mark on the product.

UL Solutions permits the reproduction of the material contained in Product iQ subject to the following conditions: 1. The Guide Information, Assemblies, Constructions, Designs, Systems, and/or Certifications (files) must be presented in their entirety and in a non-misleading manner, without any manipulation of the data (or drawings). 2. The statement "Reprinted from Product iQ with permission from UL Solutions" must appear adjacent to the extracted material. In addition, the reprinted material must include a copyright notice in the following format: "©2024 UL LLC."

### Cookies on UL Solutions

We use cookies to personalize content and ads, to provide social media features and to analyze our traffic. We also share information about your use of our site with our social media, advertising and analytics partners. [Learn more](#)

[Cookies Settings](#)[Reject All](#)[Accept All Cookies](#)



شركة أزيدك  
لأجهزة السلامة

# ***FM Approval.***

الإدارة: جدة - حي الصفا - شارع الأمير ماجد - الصفا بلازا - مبنى A الدور الثالث مكتب 340 - س.ت: 403026741 - هاتف -6342166- 0126880407 -

فاكس تحويلة: 111-: 0581444606

المعرض 1: جدة - شارع البلدية - مركز الفانوس | المعرض 2: مكة - شارع الحج

الفروع: الرياض - ينبع - المدينة - الطائف - خميس مشيط - الدمام

www.Azeidk.com info@azeidk.com



Valves | Water Control Valves (OS&Y and NRS Gate Valves) | **Gate Valves, Outside Screw and Yoke**

# Models A-2000, A-3000, AG-2000, AG-3000, AFG-2000, AFG-3000

## Product Description

**Resilient Seated Gate Valves. 2 through 16 in. NPS. Available with the following end connections.**

## Product Specification

| Model No | Valve Size                              |  | Rated Working Pressure |        | End Connection  |
|----------|---|--|------------------------|--------|-----------------|
|          | in                                      | (mm)   | psi                    | (kPa)  |                 |
| A-2000   | 2, 2 1/2, 3, 4, 5, 6, 8, 10, 12, 14, 16 | (50, 65, 80, 100, 125, 150, 200, 250, 300, 350, 400) | 200                    | (1375) | Flange x Flange |
| A-3000   | 2 1/2, 3, 4, 5, 6, 8, 10, 12            | (65, 80, 100, 125, 150, 200, 250, 300)               | 300                    | (2065) | Flange x Flange |
| AG-2000  | 2, 2 1/2, 3, 4, 5, 6, 8, 10, 12         | (50, 65, 80, 100, 125, 150, 200, 250, 300)           | 200                    | (1375) | Groove x Groove |
| AG-3000  | 2 1/2, 3, 4, 5, 6, 8, 10, 12            | (65, 80, 100, 125, 150, 200, 250, 300)               | 300                    | (2065) | Groove x Groove |
| AFG-2000 | 2, 2 1/2, 3, 4, 5, 6, 8, 10, 12         | (50, 65, 80, 100, 125, 150, 200, 250, 300)           | 200                    | (1375) | Groove x Flange |
| AFG-3000 | 2 1/2, 3, 4, 5, 6, 8, 10, 12            | (65, 80, 100, 125, 150, 200, 250, 300)               | 300                    | (2065) | Groove x Flange |

## Details

|                           |   |
|---------------------------|---|
| <b>Category</b>           | Gate Valves, Outside Screw and Yoke   |
| <b>Class of Work</b>      | 1120 - OS&Y and NRS Gate Valves   |
| <b>Approval Standard</b>  | FM 1120, 1130 - Fire Service Water Control Valves (OS&Y and NRS Type Gate Valves) |
| <b>Certification Type</b> | FM Approved   |

## Company

**American Fire Control LLC**  
 255 S Orange Avenue, Orlando ,  
 Florida 32801  
 United States of America  
<http://american-afc.com>

Cookies help us improve your website experience.  
 By using our website, you agree to our use of cookies.

Confirm



Valves | Water Control Valves (OS&Y and NRS Gate Valves) | **Gate Valves, Inside Screw**

# Models A-2100, A-3100, AMJ-3000, AMJF-3000, AG-2100, AG-3100, AFG-2100, AFG-3100

## Product Description

**Resilient Seated Gate Valves. 2 through 12 in. NPS. Available with the following end connections.**

## Product Specification

| Model No  | Valve Size                      |  | Rated Working Pressure |        | End Connection  |
|-----------|---------------------------------|--|------------------------|--------|-----------------|
|           | in                              | (mm)                                       | psi                    | (kPa)  |                 |
| A-2100    | 2, 2 1/2, 3, 4, 5, 6, 8, 10, 12 | (50, 65, 80, 100, 125, 150, 200, 250, 300) | 200                    | (1375) | Flange x Flange |
| A-3100    | 2, 2 1/2, 3, 4, 5, 6, 8, 10, 12 | (50, 65, 80, 100, 125, 150, 200, 250, 300) | 300                    | (2065) | Flange x Flange |
| AMJ-3000  | 2, 3, 4, 6, 8, 10, 12           | (50, 80, 100, 150, 200, 250, 300)          | 300                    | (2065) | MJ x MJ         |
| AMJF-3000 | 2, 3, 4, 6, 8, 10, 12           | (50, 80, 100, 150, 200, 250, 300)          | 300                    | (2065) | Flange x MJ     |
| AG-2100   | 2, 2 1/2, 3, 4, 5, 6, 8, 10, 12 | (50, 65, 80, 100, 125, 150, 200, 250, 300) | 200                    | (1375) | Groove x Groove |
| AG-3100   | 2, 2 1/2, 3, 4, 6, 8, 10, 12    | (50, 65, 80, 100, 150, 200, 250, 300)      | 300                    | (2065) | Groove x Groove |
| AFG-2100  | 2, 2 1/2, 3, 4, 5, 6, 8, 10, 12 | (50, 65, 80, 100, 125, 150, 200, 250, 300) | 200                    | (1375) | Groove x Flange |
| AFG-3100  | 2, 2 1/2, 3, 4, 6, 8, 10, 12    | (50, 65, 80, 100, 150, 200, 250, 300)      | 300                    | (2065) | Groove x Flange |

## Details

|                          |   |
|--------------------------|---|
| <b>Category</b>          | Gate Valves, Inside Screw   |
| <b>Class of Work</b>     | 1120 - OS&Y and NRS Gate Valves   |
| <b>Approval Standard</b> | FM 1120, 1130 - Fire Service Water Control Valves (OS&Y and NRS Type Gate Valves) |

## Company

**American Fire Control LLC**  
 255 S Orange Avenue, Orlando ,  
 Florida 32801  
 United States of America  
<http://american-afc.com>

**Certification** Cookies help us improve your website experience. By using our website, you agree to our use of cookies.

**Listing Country** United States of America



Valves | Single Check Valves | [Check Valves, Single](#)

# Model A-3150

## Product Description

| Model No | Description                     | Valve Size                      |  | Rated Working Pressure |        | Remarks |
|----------|---------------------------------|---------------------------------|--|------------------------|--------|---------|
|          |                                 | in                              | (mm)                                       | psi                    | (kPa)  |         |
| A-3150   | Swing Check Valve, Flanged Ends | 2, 2 1/2, 3, 4, 5, 6, 8, 10, 12 | (50, 65, 80, 100, 125, 150, 200, 250, 300) | 300                    | (2065) | a       |

**Remarks:**

a. Metal Seat

## Details

|                           |                              |
|---------------------------|------------------------------|
| <b>Category</b>           | Check Valves, Single         |
| <b>Class of Work</b>      | 1210 - Single Check Valves   |
| <b>Approval Standard</b>  | FM 1210 - Swing Check Valves |
| <b>Certification Type</b> | FM Approved                  |
| <b>Listing Country</b>    | United States of America     |

## Company

American Fire Control LLC  
 255 S Orange Avenue, Orlando ,  
 Florida 32801  
 United States of America  
<http://american-afc.com>

Cookies help us improve your website experience.  
 By using our website, you agree to our use of cookies.

Confirm





Valves | Indicating Valves (Butterfly or Valve Type) | **Indicating Valves, Butterfly or Ball Type**

# Models BFW-300, BFW-301, BFG-300, BFG-301

## Product Description

| Model No | Description                                      | Valve Size           |                              | Rated Working Pressure |        | Remarks |
|----------|--|----------------------|------------------------------|------------------------|--------|---------|
|          |  | in                   | (mm)                         | psi                    | (kPa)  |         |
| BFW-300  | Butterfly Valve, Wafer by Wafer End Connections  | 2 1/2, 3, 4, 5, 6, 8 | (65, 80, 100, 125, 150, 200) | 300                    | (2065) | a, b, c |
| BFW-301  | Butterfly Valve, Wafer by Wafer End Connections  | 2, 10, 12            | (50, 250, 300)               | 300                    | (2065) | a, b, c |
| BFG-300  | Butterfly Valve, Groove x Groove End Connections | 2 1/2, 3, 4, 5, 6, 8 | (65, 80, 100, 125, 150, 200) | 300                    | (2065) | a, b, c |
| BFG-301  | Butterfly Valve, Groove x Groove End Connections | 2, 10, 12            | (50, 250, 300)               | 300                    | (2065) | a, b, c |

**Remarks:**

- a. Available with or without supervisory switches.
- b. FM Approved for indoor and outdoor service.
- c. FM Approved for aboveground installations only.

## Details

|                           |   |
|---------------------------|---|
| <b>Category</b>           | Indicating Valves, Butterfly or Ball Type |
| <b>Class of Work</b>      | 1112 - Indicating Valves                  |
| <b>Certification Type</b> | FM Approved                               |
| <b>Listing Country</b>    | United States of America                  |

## Company

**American Fire Control LLC**  
 255 S Orange Avenue, Orlando ,  
 Florida 32801  
 United States of America  
<http://american-afc.com>

Cookies help us improve your website experience.  
 By using our website, you agree to our use of cookies.



Confirm



شركة أزيدك  
لأجهزة السلامة

# *Previous Approvals.*

الإدارة: جدة - حي الصفا - شارع الأمير ماجد - الصفا بلازا - مبنى A الدور الثالث مكتب 340 - س.ت: 403026741 - هاتف -6342166- 0126880407 -

فاكس تحويلة: 111-: 0581444606

المعرض 1: جدة - شارع البلدية - مركز الفانوس | المعرض 2: مكة - شارع الحج

الفروع: الرياض - ينبع - المدينة - الطائف - خميس مشيط - الدمام

www.Azeidk.com info@azeidk.com









BENAN PROJECT



MATERIAL INSPECTION REQUEST

DETAILS OF SCHEDULED INSPECTION

Section A

Package : BP-001

MIR No : TSC -BP01-TCC-ZFP-MIR-ME-00147

To : Zuhair Fayez Partnership

Phase No. : \_\_\_\_\_

Date : 21-Mar-24

Inspection scheduled for - Time: \_\_\_\_\_

Date : 21-Mar-24

Location :

Building/Plot : \_\_\_\_\_

Level : \_\_\_\_\_

Zone : \_\_\_\_\_

Material to be Inspected :

Spec./Drwg ref : \_\_\_\_\_

Submittal No : \_\_\_\_\_

Measuring Equipment used: \_\_\_\_\_

Calibrated (Y/N) \_\_\_\_\_

Validity date: \_\_\_\_\_

Description of

Material inspection request for fire hydrant and vertical indicator post, see attached delivery notes for description and quantity

Required Inspection :

Proof of GC/MEP

Co-ordinated Inspection

*[Handwritten signature]*

CONFIRMATION OF CONTRACTOR'S Q.C. INSPECTION

Section B

Confirmation of co-ordination and compliance with Specifications, Approved Drawings, Method Statement and Quality Control Plan

Tick box  YES  NO

Note: If NO, any departure from Specifications, Approved Drawings, Method Statement and Quality Control Plan to be recorded below.

Non Conformity and/or reference of attached Non Conformity Report (NCR): \_\_\_\_\_

Date: \_\_\_\_\_

Contractor : Project Manager *[Signature]*

Date : 21-Mar-24



SUPERVISION CONSULTANT'S REVIEW COMMENTS

Section C

① Firehydrant and Vertical indicator post inspected as per attached delivery note. ② Quantity shall be considered after site installation request approval.

|   |                          |
|---|--------------------------|
| A | Approved                 |
| B | Approved with Comments ✓ |
| C | Revised & Resubmit       |
| D | For Information Only     |
| R | Rejected                 |

Consultant: \_\_\_\_\_

Date : 23/03/24

PM/CM If Required : \_\_\_\_\_

Date : \_\_\_\_\_

THE CONSULTANT'S COMMENTS SHALL NOT RELIEVE THE CONTRACTOR OF ANY OF HIS RESPONSIBILITIES UNDER THE CONTRACT

Received for Contractor : \_\_\_\_\_

Date : \_\_\_\_\_

Received Copy to : PM / Others

Copy with Section A completed by Contractor to be passed to Consultant  
Original with Section B completed to be handed to Consultant prior to Inspection  
Consultant to complete Section C and return to Contractor



**SUBMITTAL SHEET**

|                      |                            |               |             |
|----------------------|----------------------------|---------------|-------------|
| Submittal Reference: | TSC-BP01-SUB-TCC-ZFP-MAT-N | Date:         | 18/1-Mar-24 |
| Revision:            | 00                         |               |             |
| Document Type        | Material Submittal         | SUBMITTED FOR | CODE        |

|  |                                      |                     |         |
|--|--------------------------------------|---------------------|---------|
| Project:   | TMG Sales Centre Benan City Project  | PACKAGE NO:         | BP-01   |
|  |                                      | BUILDING NO:        | General |
| TO:  | Zuhair Fayed Partnership (ZFP)       |                     |         |
| Cc:  | Atrium Project Management (APM)- TMG |                     |         |
| WE ARE SENDING HERE WITH THE DRAWING / DOCUMENTS / |                                      | ACTION              |         |
|  |                                      | APPROVED            | A       |
|  |                                      | APPROVED AS NOTED   | B       |
|  |                                      | REVISE AND RESUBMIT | C       |
|  |                                      | NO ACTION REQUIRED  | D       |
|  |                                      | REJECTED            | R       |

SAMPLES LISTED BELOW. (DELETE OR ADD AS NECESSARY)

| ITEM | QTY. | Dwgs., Specs or BOQ Ref. | DOCUMENT / DRAWING NO. | DESCRIPTION   | TYPE* | CODE | SUBMIT. | ACTION |
|------|------|--------------------------|------------------------|---|-------|------|---------|--------|
| 1    | 1    |                          |                        | Material Submittal for Fire Hydrant and Vertical Indicator Post | MAT   |      |         |        |
|      |      |                          |                        | Technical Data attached   |       |      |         |        |
|      |      |                          |                        |   |       |      |         |        |
|      |      |                          |                        |   |       |      |         |        |
|      |      |                          |                        |   |       |      |         |        |
|      |      |                          |                        |   |       |      |         |        |
|      |      |                          |                        |   |       |      |         |        |
|      |      |                          |                        |   |       |      |         |        |
|      |      |                          |                        |   |       |      |         |        |

23/03/2024



Contractor's Project Manager: **Mahmoud Ibrahim**

Signature: *[Signature]* 18/1-Mar-24

REMARKS:

- Fire Hydrant and vertical indicator post technically approved.
- Contractor shall comply with specs, codes, stds and approved shopdrawings.
- Material shall be FM approved and listed.

Correction or comments made relative to submittals during this review. **DO NOT** relieve the contractor from compliance with the requirements of drawings and specifications for review of general conformance with design concept of the project.

|                        |       |                                      |                  |
|------------------------|-------|--------------------------------------|------------------|
| FOR CLIENT (Optional): | DATE: | FOR CONSULTANT: Resident Engineer    | DATE: 19/03/2024 |
| COPIES                 |       | FOR PROJECT MANAGER: Project Manager | DATE:            |

\* TYPE: SD - Shop Drawing, GT - Guaranteed / V. Arrangements, T - Test / Inspection, CA - Calculations, STA - Sample, MD - Manufacturer's Data, UT - Utilities, OT - Others



# DRY BARREL FIRE HYDRANT



## SPECIFICATIONS

- Maximum Operating Pressure: 250 PSI (17.2 Bar)
- UL Listed, FM Approved for Fire Protection Roadside Service
- Conforms to AWWA C502 Requirements
- Factory Tested 100% to 500 PSI (34.5 Bar)
- Ductile Iron Body
- Steel Stem and Bronze Seat
- All Fasteners Below Ground 304 Stainless Steel
- Finish: Red and Black Epoxy Paint Interior and Exterior per AWWA C550
- Lubrication: Lube Oil Cold Temp
- **Repairable Due to Traffic Breakage Without Excavation**
- **Seat and Disc Repairable Without Excavation**
- Minimal Torque Seat and Disc Design for Closing and Opening Torque



*Handwritten:* 23/03/2024

## Models

**F-7700**

**ASME CLASS 150 / ISO PN16 Flanges**

**F-8700**

**AWWA Mechanical joint**

## INLET

- **6" (ND150) ASME B16.5 Class 150**
- **DIN 2503 PN16 Flanged**
- **6" Mechanical Connection per AWWA / ANSI C153 / A21.53**

## OUTLET

- **Fire Pump Steamer 4 1/2" - 4nh**
- **2 1/2" - 7.5NH Standard**

*Handwritten:* 23/03/2024 3/14



All information contained herein is the property of American Fire Control, USA, LLC and is subject to change without notice. American Fire Control, USA, LLC passes on manufacturer's warranty but extends no other warranty. All products sold by American Fire Control, USA, LLC are subject to its full terms and conditions of sales as published and available on request. Any warranty made extends to original purchaser and is not assignable or transferable.





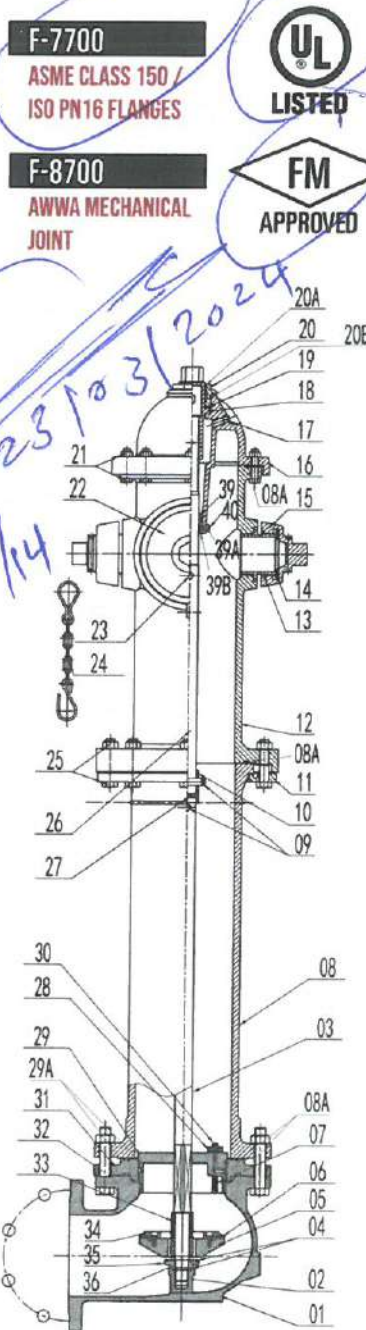
# DRY BARREL FIRE HYDRANT



AMERICAN FIRE CONTROL  
QUALITY IS A PRIORITY

DUCTILE IRON BODY • SEAT AND DISC REPAIRABLE WITHOUT EXCAVATION • AWWA C550 EPOXY COATED

250 PSI (17.2 BAR) MAXIMUM OPERATING PRESSURE



**F-7700**  
ASME CLASS 150 /  
ISO PN16 FLANGES

**F-8700**  
AWWA MECHANICAL  
JOINT

**UL LISTED**

**FM APPROVED**

| MATERIAL LIST |                             |                                       |
|---------------|-----------------------------|---------------------------------------|
| ITEM          | DESCRIPTION                 | SPECIFICATION                         |
| 1             | Connector Inlet             | Ductile Iron ASTM A536 Grade 65-45-12 |
| 2             | Lock Nut                    | Ductile Iron ASTM A536 Grade 65-45-12 |
| 3             | Connecting Rod              | Carbon Steel 1045 ASTM A29/29M        |
| 4             | Lock Nut                    | Gasket EPDM ASTM D200                 |
| 5             | Tray                        | Ductile Iron ASTM A536 Grade 65-45-12 |
| 6             | Seal                        | EPDM ASTM D2000                       |
| 7             | Drain Hole Spring           | Stainless Steel 316 ASTM A240         |
| 8             | Lower Barrel                | Ductile Iron ASTM A536 Grade 65-45-12 |
| 8A            | O- Ring                     | NBR ASTM D2000                        |
| 9             | Perforated Cylinder Pin     | Carbon Steel 1045 ASTM A29/29M        |
| 10            | Connecting Rod Sleeve       | Carbon Steel 1045 ASTM A29/29M        |
| 11            | Clamp Ring                  | Ductile Iron ASTM A536 Grade 65-45-12 |
| 12            | Body Upper                  | Ductile Iron ASTM A536 Grade 65-45-12 |
| 13            | Outlet Nipple               | C95400 ASTM B148                      |
| 14            | Outlet Gasket               | EPDM ASTM D2000                       |
| 15            | Outlet Cap                  | Ductile Iron ASTM A536 Grade 65-45-12 |
| 16            | Upper Bonnet                | Ductile Iron ASTM A536 Grade 65-45-12 |
| 17            | Thread Plug                 | C95400 ASTM B148                      |
| 18            | Screw Stem Nut              | C95400 ASTM B148                      |
| 19            | Screw Nut Gasket            | C95400 ASTM B148                      |
| 20            | Screw Nut Seat              | C95400 ASTM B148                      |
| 20A           | O- Ring                     | NBR ASTM D2000                        |
| 20B           | O- Ring                     | NBR ASTM D2000                        |
| 21            | Bonnet Bolts and Nuts       | Carbon Steel 1035 ASTM A29/29M        |
| 22            | Pumper Connection Cap       | Ductile Iron ASTM A536 Grade 65-45-12 |
| 23            | Cylindrical Pin             | Carbon Steel 1045 ASTM A29/29M        |
| 24            | Cover Chain                 | Carbon Steel Gr B ASTM A283-B         |
| 25            | Body Bolts and Nuts         | Carbon Steel 1035 ASTM A29/29M        |
| 26            | Upper Stem                  | Carbon Steel 1045 ASTM A29/29M        |
| 27            | Cushion                     | EPDM ASTM D2000                       |
| 28            | Drain Hole Cover            | C95400 / EPDM                         |
| 29            | Seat                        | C95400 ASTM B148                      |
| 29A           | O- Ring                     | NBR ASTM D2000                        |
| 30            | Bolt and Nut                | Stainless Steel 304 ASTM A240         |
| 31            | Seat Retainer Plate         | Ductile Iron ASTM A536 Grade 65-45-12 |
| 32            | Lower Barrel Bolts and Nuts | 1035 ASTM A29/29M                     |
| 33            | Annular Tube                | Carbon Steel 1045 ASTM A29/29M        |
| 34            | Plate Retainer              | Ductile Iron ASTM A536 Grade 65-45-12 |
| 35            | Lock Nut Seat               | Ductile Iron ASTM A536 Grade 65-45-12 |
| 36            | Check Turn Gasket           | GR.B ASTM A283-B                      |
| 37            | Steamer Connector Tube      | C95400 ASTM B148                      |
| 38            | Steamer Gasket              | GR.B ASTM A283-B                      |
| 39            | Screw Stem Bushing          | Stainless Steel 304 ASTM A240         |
| 39A           | O- Ring                     | NBR ASTM D2000                        |
| 39B           | O- Ring                     | NBR ASTM D2000                        |
| 40            | Bolt                        | Stainless Steel 304 ASTM A240         |

Seat Repair Kit: Includes all seals, O-rings and removal tool "T" Handle. (1) item #4, (1) item #6, (1) item 8A, (1) item 20A, (1) item 20B, (2) item 29A (3) item 29B, (2) item 39A, (2) item 39B and (1) T handle stem wrench.

Traffic Repair Kit: Includes new connecting sleeve, clamp ring, pins and O-rings for above ground repair. (2) item 8A, (2) item 9, (1) item 10, (1) item 11, (1) item 20A, (1) item 27, (1) item 20B, (2) item 39A, (2) item 39B

All information contained herein is the property of American Fire Control and deemed to be accurate. Information is subject to change without notice. Purchaser is responsible for proper installation and use of product. American Fire Control USA, LLC passes on manufacturer's warranty but extends no other warranty. All products sold by American Fire Control USA, LLC are subject to its full terms and conditions of sales as published and available on request. Any warranty made extends to original purchaser and is not assignable or transferable.





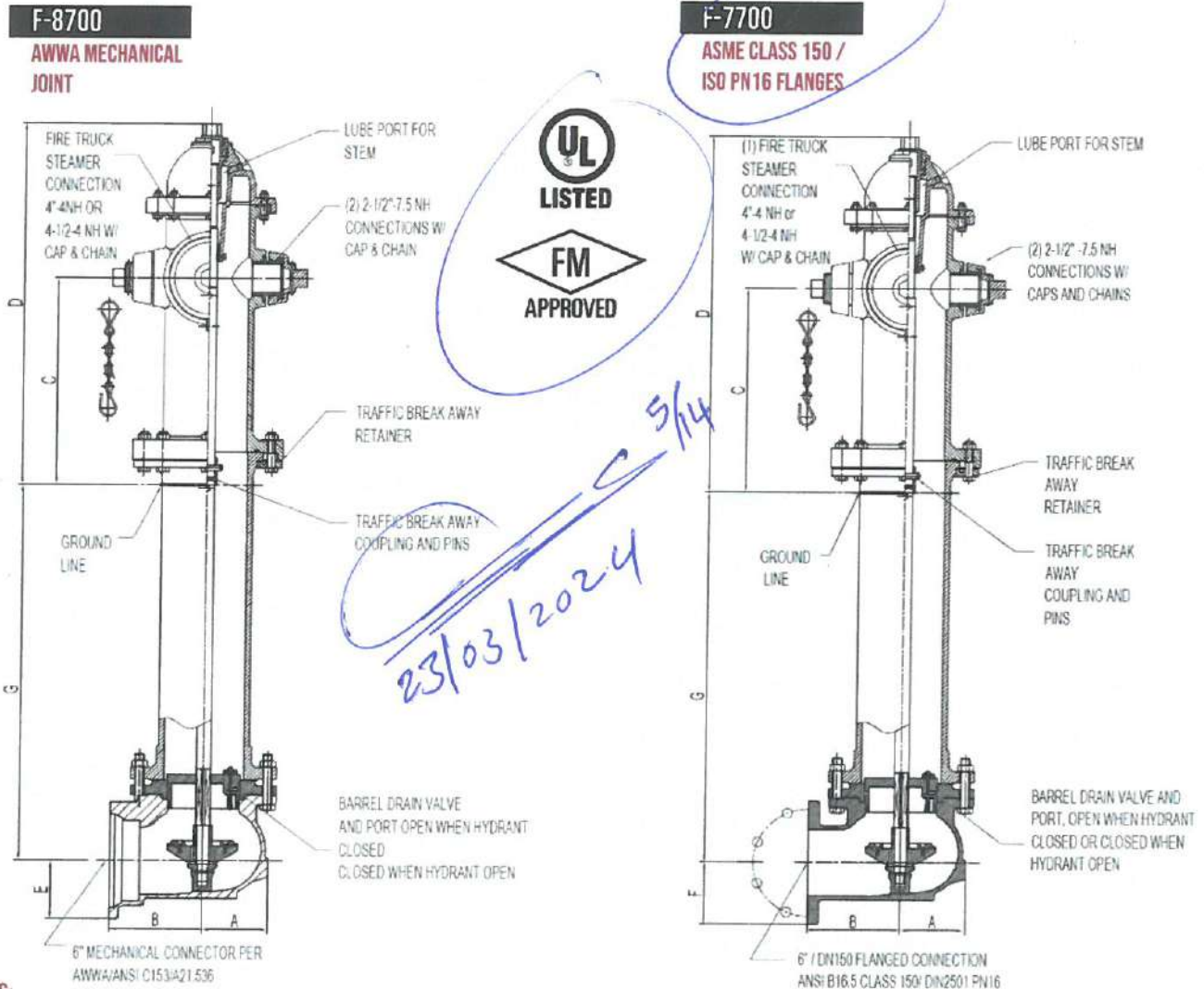
# DRY BARREL FIRE HYDRANT



AMERICAN FIRE CONTROL  
QUALITY IS A PRIORITY

Dry Barrel Hydrant 6" (DN 150) Flanged or Mechanical Inlet, STD Outlets (2) 2 1/2" -7.5NH Male Outlets and (1) 4 1/2" - 4 NH Male Steamer Pumper Connection:

DIMENSIONAL INFORMATION



**OPTIONS:**

- Inlet flanged ASME B16.5 Class 150 or ISO2501 PN16, or / mechanical AWWA C153 / A21.536
- Depth choose one of above Dimension "G"
- Outlet (2) 2 1/2" hose connection thread type specify, standard =7.5NH (other thread types available)
- Steamer pumper outlet standard=(1) 4 1/2"-4NH, also available 4"-4NH optional adapter fitting

| Part Number Flanged | Part Number Mechanical | A (mm/ inch) | B (mm/ inch) | C (mm/ inch) | D (mm/ inch) | E (mm/ inch) | F (mm/ inch) | G (mm/ inch) | Weight (kg) |
|---------------------|------------------------|--------------|--------------|--------------|--------------|--------------|--------------|--------------|-------------|
| F-7700              | F-8700                 | 146/ 5.75    | 208/ 8.18    | 460/ 18.11   | 805/ 31.7    | 130/5.12     | 140/5.51     | 1063/42      | 185         |
|                     |                        |              |              |              |              |              |              | 1215/48      | 190         |
|                     |                        |              |              |              |              |              |              | 1368/54      | 196         |
|                     |                        |              |              |              |              |              |              | 1520/60      | 211         |
|                     |                        |              |              |              |              |              |              | 1673/66      | 220         |
|                     |                        |              |              |              |              |              |              | 1825/72      | 241         |
|                     |                        |              |              |              |              |              |              | 1978/78      | 246         |
| 2130/84             | 251                    |              |              |              |              |              |              |              |             |



All information contained herein is subject to change without notice. American Fire Control, LLC, reserves the right to modify its products and specifications without notice. American Fire Control, LLC, warrants its products against defects in materials and workmanship for a period of 12 months from the date of purchase. This warranty is void where prohibited by law. American Fire Control, LLC, is not responsible for any damage or injury caused by the use of its products. American Fire Control, LLC, is not responsible for any damage or injury caused by the use of its products. American Fire Control, LLC, is not responsible for any damage or injury caused by the use of its products.



## DATA SHEET

# 5100 Vertical Indicator Post



**AMERICAN FIRE CONTROL**  
QUALITY IS A PRIORITY

The American 5100 Vertical Post Indicator is a critical component of fire protection systems, designed to provide a visual indication of the status of fire protection valves such as post indicator valves. These valves are commonly found in fire sprinkler systems, hydrant systems, and standpipe systems within buildings and industrial facilities. The VPI plays a crucial role in ensuring the efficient operation of these systems during fire emergencies.



### SPECIFICATIONS

- Clearly displays valve status (open or shut) for operational awareness
- Enables remote operation of buried or hard-to-reach valves
- Secure design with a padlock-compatible wrench handle fitting over a "u" bracket
- Simplified installation with adjustable telescoping stem, eliminating the need for field cutting
- Easily customizable open and shut signs by removing the post head
- Compatible with gate valves sizes ranging from 4" to 12"
- UL listed and FM approved

### CORROSION PROTECTION

- Internally and externally spray epoxy painted ral3000

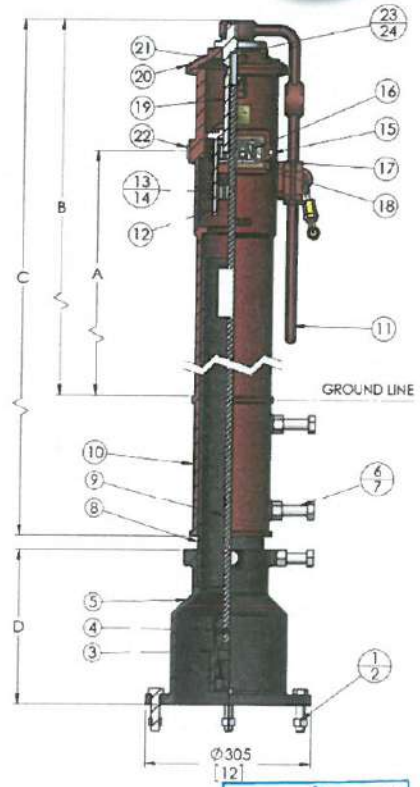
### FIELD ADJUSTMENT

- Remove post head to adjust open and shut signs as required
- Adjust telescoping stem and pipe to desired length
- Attach base of post to the post plate on the valve using bolts/nuts provided

*Handwritten note:* 23/03/2024 6/14

### PART LIST

| No. | Part Name          | Specification/Material              |
|-----|--------------------|-------------------------------------|
| 1   | Hex Cap Screw      | Carbon Steel ASTM A307B             |
| 2   | Hex Nut            | Carbon Steel ASTM A307B             |
| 3   | Crane Coupling     | Ductile Iron ASTM A536 Gr. 65-45-12 |
| 4   | Cotter Pin         | Carbon Steel ASTM A307B             |
| 5   | Base Flange        | Cast Iron ASTM A126 Class B         |
| 6   | Hex Nut            | Carbon Steel ASTM A307B             |
| 7   | Hex Cap Screw      | Carbon Steel ASTM A307B             |
| 8   | Standpipe          | Carbon Steel ASTM A53               |
| 9   | Stem 1" Square     | Carbon Steel AISI 1045              |
| 10  | Body               | Cast Iron ASTM A126 Class B         |
| 11  | Locking Wrench     | Ductile Iron ASTM A536 Gr. 65-45-12 |
| 12  | Target Carrier Nut | Stainless Steel AISI 304            |
| 13  | Hex Cap Screw      | Carbon Steel ASTM A307B             |
| 14  | Hex Nut            | Carbon Steel ASTM A307B             |
| 15  | Hex Cap Screw      | Carbon Steel ASTM A307B             |
| 16  | Target             | Cast Aluminum                       |
| 17  | Window Glass       | Plexiglass                          |
| 18  | Gasket             | EPDM ASTM D2000                     |
| 19  | Operating Nut      | Stainless Steel AISI 304            |
| 20  | Top Section        | Cast Iron ASTM A126 Class B         |
| 21  | Snap Ring          | Spring Steel                        |
| 22  | Plug               | Carbon Steel ASTM A307B             |
| 23  | Square Nut         | Carbon Steel ASTM A307B             |
| 24  | Hex Cap Screw      | Carbon Steel ASTM A307B             |



All information contained herein is supplied by manufacturer and deemed to be accurate. Information is subject to change without notice. Purchaser is responsible for proper installation, use and maintenance of product. American Fire Control USA, LLC passes on manufacturer's warranty with no other warranty. All products sold by American Fire Control USA, LLC are subject to its full terms and conditions of sales as published and available for download. Any warranty made extends to original purchaser and is not assignable or transferable.





**DATA SHEET**

**5100 Vertical Indicator Post**



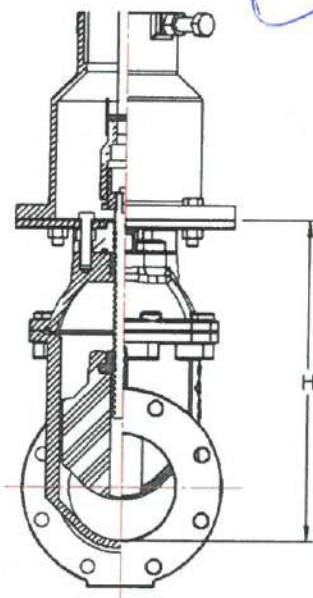
**AMERICAN FIRE CONTROL**  
QUALITY IS A PRIORITY

**DIMENSIONS**

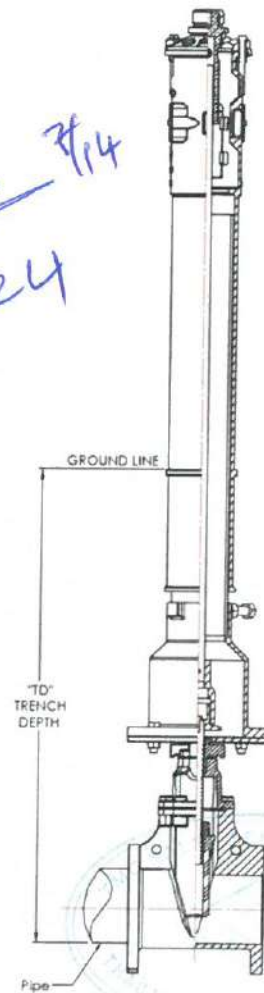
| Valve Size | Model No. | A              | B               | C               | D              |
|------------|-----------|----------------|-----------------|-----------------|----------------|
| 4" ~12"    | 5100      | 700<br>(27.5") | 1000<br>(39.3") | 1248<br>(49.1") | 297<br>(11.7") |

**AMERICAN AFC A-3100 PIV-NRS Gate Valve**

| Valve Size | H      |
|------------|--------|
| 4"         | 11.9"  |
| 6"         | 17.2"  |
| 8"         | 20.79" |
| 10"        | 26.18" |
| 12"        | 30.31" |



*Handwritten:* 23/03/2024 7/14



| Size                        | 4"     | 6"     | 8"     | 10"    | 12"    |
|-----------------------------|--------|--------|--------|--------|--------|
| Trench Depth Range (TD) Min | 34.65" | 39.76" | 44.29" | 48.62" | 53.54" |
| Trench Depth Range (TD) Max | 71.26" | 76.38" | 80.91" | 85.24" | 90.16" |

All information contained herein is supplied by manufacturer and deemed to be accurate. Information is subject to change without notice. Purchaser is responsible for proper installation, use and maintenance of product. American Fire Control USA, LLC passes on manufacturer's no other warranty. All products sold by American Fire Control USA, LLC are subject to its full terms and conditions of sales as published and Any warranty made extends to original purchaser and is not assignable or transferable.







# CERTIFICATE

This is to certify that

## American Fire Control

255 S Orange Ave,  
Orlando, FL 32801  
United States of America

*Handwritten signature and date: 23/03/2024 8/14*

has implemented and maintains a **Quality Management System**.

### Scope:

The Design and Manufacture of Ductile and Gray Iron Castings, Fire Hydrants, Indicator Posts, Check Valves, Gate Valves, Butterfly Valves and Associated Component.

Through an audit, documented in a report, it was verified that the management system fulfills the requirements of the following standard:

## ISO 9001 : 2015

|                                |              |
|--------------------------------|--------------|
| Certificate registration no.   | 051223010103 |
| Date of original certification | 2014-07-22   |
| Date of certification          | 2023-12-05   |
| Valid until                    | 2026-12-04   |



To verify certificate, visit at :

<https://uafaccreditation.org>  
<https://www.iafcertsearch.org>



### ARS Assessment Private Limited

*Handwritten signature of Managing Director*

Managing Director

UAF Address : 400, North Center Dr, STE 202, Norfolk, VA 23502, United States of America :

This certificate remains the property of ARS and must be returned to ARS on Cancellation or Suspension of the certificate Validity of the certificate is subject to successful completion of surveillance audits. Further clarification regarding the scope of this certificate and the applicability of standard may be obtained by consulting the Organization on [info@arscert.com](mailto:info@arscert.com)



# CERTIFICATE

This is to certify that

## American Fire Control

255 S Orange Ave,  
Orlando, FL 32801  
United States of America

*Handwritten signature and date: 23/03/2024*

has implemented and maintains an **Environmental Management System**.

Scope:

The Design and Manufacture of Ductile and Gray Iron Castings, Fire Hydrants, Indicator Posts, Check Valves, Gate Valves, Butterfly Valves and Associated Component.

Through an audit, documented in a report, it was verified that the management system fulfills the requirements of the following standard:

## ISO 14001 : 2015

|                                |              |
|--------------------------------|--------------|
| Certificate registration no.   | 051223020104 |
| Date of original certification | 2014-07-22   |
| Date of certification          | 2023-12-05   |
| Valid until                    | 2026-12-04   |



To verify certificate, visit at :  
<https://uafaccreditation.org>  
<https://www.iafcertsearch.org>



### ARS Assessment Private Limited

*Handwritten signature*

Managing Director

UAF Address : 400, North Center Dr, STE 202, Norfolk, VA 23502, United States of America :

This certificate remains the property of ARS and must be returned to ARS on Cancellation or Suspension of the certificate Validity of the certificate is subject to successful completion of surveillance audits. Further clarification regarding the scope of this certificate and the applicability of standard may be obtained by consulting the Organization on [info@arscert.com](mailto:info@arscert.com)



# CERTIFICATE

This is to certify that

## American Fire Control

255 S Orange Ave,  
Orlando, FL 32801  
United States of America

*Handwritten signature and date: 23/03/2024*

has implemented and maintains an **Occupational Health and Safety Management System**.

Scope:

The Design and Manufacture of Ductile and Gray Iron Castings, Fire Hydrants, Indicator Posts, Check Valves, Gate Valves, Butterfly Valves and Associated Component.

Through an audit, documented in a report, it was verified that the management system fulfills the requirements of the following standard:

## ISO 45001 : 2018

Certificate registration no. 051223030105  
Date of original certification 2014-07-22  
Date of certification 2023-12-05  
Valid until 2026-12-04



CB-MS-3923

To verify certificate, visit at :

<https://uafaccreditation.org>  
<https://www.iafcertsearch.org>



## ARS Assessment Private Limited

*Handwritten signature: A. Blis...*

Managing Director

UAF Address : 400, North Center Dr, STE 202, Norfolk, VA 23502, United States of America :

This certificate remains the property of ARS and must be returned to ARS on Cancellation or Suspension of the certificate Validity of the certificate is subject to successful completion of surveillance audits. Further clarification regarding the scope of this certificate and the applicability of standard may be obtained by consulting the Organization on [info@arscert.com](mailto:info@arscert.com)

# HBOR.EX28963 - Hydrants

Hydrants

*Handwritten:* 23/03/2024 1 1/4

**American Fire Control LLC**  
 255 S Orange Ave  
 Orlando, FL 32801 United States

EX28963

**Base-valve design:**

| Model  | Base-valve Size, in. | Hose Outlet (No. of Outlets), in. | Pumper Outlet (No. of Outlets), in. | Rated Pressure, psig |
|--------|----------------------|-----------------------------------|-------------------------------------|----------------------|
| F-8700 | 5-1/4                | (2) 2-1/2                         | (1) 4-1/2                           | 250                  |
| F-7700 | 5-1/4                | (2) 2-1/2                         | (1) 4-1/2                           | 250                  |

**Wet-barrel design:**

| Model   | Hose Outlet (No. of Outlets), in. | Pumper Outlet (No. of Outlets), in. | Rated Pressure, psig |
|---------|-----------------------------------|-------------------------------------|----------------------|
| FW-9000 | (2) 2-1/2                         | (1) 4-1/2                           | 250                  |

Last Updated on 2023-02-10

The appearance of a company's name or product in this database does not in itself assure that products so identified have been manufactured under UL Solutions' Follow - Up Service. Only those products bearing the UL Mark should be considered to be Certified and covered under UL Solutions' Follow - Up Service. Always look for the Mark on the product.

UL Solutions permits the reproduction of the material contained in Product iQ subject to the following conditions: 1. The Guide Information, Assemblies, Constructions, Designs, Systems, and/or Certifications (files) must be presented in their entirety and in a non-misleading manner, without any manipulation of the data (or drawings). 2. The statement "Reprinted from Product iQ with permission from UL Solutions" must appear adjacent to the extracted material. In addition, the reprinted material must include a copyright notice in the following format: "©2023 UL LLC."





Member of the FM Global Group

Other Fire Protection Products | Fire Hydrants (Dry Barrel Type) | Hydrants, Dry Barrel

## Model F-7800, F-8700, F-8800, and F-7700

### Product Description

*Handwritten signature and date: 23/03/2024*

### Product Specification

| Model No | Size |       | # of Hose Outlets | Hose Outlet Size |      | Pumper Connection Size |       | Rated Working Pressure |        | Remarks |
|----------|------|-------|-------------------|------------------|------|------------------------|-------|------------------------|--------|---------|
|          | in   | (mm)  |                   | in               | (mm) | in                     | (mm)  | psi                    | (kPa)  |         |
| F-7800   | 6    | (152) | 2                 | 2 1/2            | (64) | 4                      | (102) | 250                    | (1720) | a       |
| F-8700   | 6    | (152) | 2                 | 2 1/2            | (64) | 4 1/2                  | (114) | 250                    | (1720) | a       |
| F-8800   | 6    | (152) | 2                 | 2 1/2            | (64) | 4                      | (102) | 250                    | (1720) | b       |
| F-7700   | 6    | (152) | 2                 | 2 1/2            | (64) | 4 1/2                  | (114) | 250                    | (1720) | b       |

### Remarks:

- a.) Available with a ANSI/AWWA C111/A21.11 Mechanical Joint Inlet Connection
- b.) Available with a ASME B16.5 Class 150 Flanged Joint Inlet Connection



Member of the FM Global Group

## Details

**Category** Hydrants, Dry Barrel


**Class of Work** 1510 - Hydrants(Dry Brl Ty), Pvt FS



**Certification Type** FM Approved

**Listing Country** United States of America

## Company

American Fire Control LLC  
255 S Orange Avenue, Orlando,  
Florida 32801  
United States of America  
<http://american-afc.com>

  
23/03/2024  
13/4

|   |  |                                      |        |   |   |
|---|--|--------------------------------------|--------|---|---|
|  |  | <b>COMMENT RESOLUTION SHEET(CRS)</b> |        |  |  Imagine it.<br>Delivered. |
| <b>Project Name</b>   | <b>Package Jeddah South Container Terminal Upgrade - Design &amp; Build Main Works</b> |                                      |        | <b>Date:</b>  | 30 July 2023  |
| <b>Project No.</b>  | 60622986   | <b>CRS Reference No.:</b> 003215     | Rev.0A | <b>Page:</b>  | 1 of 1  |

| Comment Resolution Sheet Information  | Code | ER Reference No. |
|---|------|------------------|
| <b>CRS Status:</b> <input checked="" type="checkbox"/> CLOSED <input type="checkbox"/> OPEN | 1    |                  |
| * All new comments are marked in RED  |      |                  |



| CONTRACTOR'S DOCUMENT NO./<br>TRANSMITTAL REFERENCE | DOCUMENT TITLE / REFERENCE   | RECEIVED     | ISSUED       |
|---|--|--------------|--------------|
| 11099-SUB-UDC-GL-MAR-002                            | Material Approval Request for Zone Control Valves-Rev.0A<br>Vendor: United Diamond Contractors | 17 July 2023 | 30 July 2023 |

| S/NO. | DOCUMENT<br>/DRAWING/<br>REPORT<br>SECTION<br>OR<br>CLAUSE<br>NO. | ENGINEER'S COMMENTS   | CONTRACTOR'S RESPONSE | FINAL RESOLUTION |
|-------|---|---|-----------------------|------------------|
| 1.    |   | Material Approval Request for Zone Control Valves-Rev.0A<br>Supplied by United Diamond Contractors is acceptable subject to the condition that it complies with the approved IFC Drawings, Contract Specifications and the Employer's Requirements. |                       |                  |

**Jacobs**

TECHNICALLY ACCEPTABLE  
30/07/23

APPROVAL OF THIS DOCUMENT DOES NOT RELIEVE  
VENDOR OF HIS RESPONSIBILITY FOR DESIGN,  
FABRICATION, AND PERFORMANCE OF THE EQUIPMENT

|  |  |  |                          |      |
|--|--|--|--------------------------|------|
|  | <b>ARCHIRODON GROUP NV</b><br>Integrated Management System<br><br><b>MATERIAL APPROVAL REQUEST FOR</b><br><b>ZONE CONTROL VALVE</b> | <b>Jeddah South Container Terminal Upgrade</b><br><b>Design &amp; Build Main Works</b> |                          | Rev. |
|  |  | Issued For   | General Use              |      |
|  |  | Reference No.  | 11099-SUB-UDC-GL-MAR-002 | 0A   |
|  |  | Serial No.   |                          |      |
|  |  | Page   | 1 of 81                  |      |

  
**Contract No.: SAJED-M&I-2019-144/DB/2020/059**

**MATERIAL APPROVAL REQUEST FOR ZONE CONTROL VALVES**




**VENDOR: UNITED DIAMOND CONTRACTORS**  
**Jacobs**

TECHNICALLY ACCEPTABLE  
 30/07/23

APPROVAL OF THIS DOCUMENT DOES NOT RELIEVE  
 VENDOR OF HIS RESPONSIBILITY FOR DESIGN,  
 FABRICATION, AND PERFORMANCE OF THE EQUIPMENT  
 FURNISHED.

| Rev. | Issue Date | Issue Status | Completed by |   | Reviewed by  |  | Approved by  |   |
|------|------------|--------------|--------------|---|--------------|--|--------------|---|
|      |            |              | Job Position | Technical Office Section Head   | Job Position | Technical Office Manager   | Job Position | Project Manager   |
| 0A   | 13.07.2023 | IFA          | Name         | Karamullah Sharief  | Name         | Mohamed Khairy   | Name         | Dipankar Chakravorty  |
|      |            |              | Signature    |  | Signature    |  | Signature    |  |



|   |  |  |                          |      |
|---|--|--|--------------------------|------|
| <br> | <b>ARCHIRODON GROUP NV</b><br>Integrated Management System<br><br><b>MATERIAL APPROVAL REQUEST FOR<br/>ZONE CONTROL VALVE</b> | <b>Jeddah South Container Terminal Upgrade<br/>Design &amp; Build Main Works</b> |                          | Rev. |
|   |  | Issued For   | General Use              |      |
|   |  | Reference No.  | 11099-SUB-UDC-GL-MAR-002 | 0A   |
|   |  | Serial No.   |                          |      |
|   |  | Page   | 3 of 81                  |      |




## INDEX

|    |   |          |
|----|---|----------|
| 1. | SCOPE OF WORK .....                             | Page 004 |
| 2. | COMPLIANCE STATEMENTS .....                     | Page 006 |
| 3. | TECHNICAL SPECIFICATIONS (REFERENCE LIST) ..... | Page 019 |
| 4. | TECHNICAL DATA SHEETS .....                     | Page 020 |

**Jacobs**

TECHNICALLY ACCEPTABLE  
30/07/23

APPROVAL OF THIS DOCUMENT DOES NOT RELIEVE  
VENDOR OF HIS RESPONSIBILITY FOR DESIGN,  
FABRICATION, AND PERFORMANCE OF THE EQUIPMENT  
FURNISHED.

|   |   |   |                          |      |
|---|---|---|--------------------------|------|
| <br> | <b>ARCHIRODON GROUP NV</b><br>Integrated Management System<br><br><b>MATERIAL APPROVAL REQUEST FOR<br/> ZONE CONTROL VALVE</b> | <b>Jeddah South Container Terminal Upgrade<br/> Design &amp; Build Main Works</b> |                          | Rev. |
|   |   | Issued For  | General Use              |      |
|   |   | Reference No.   | 11099-SUB-UDC-GL-MAR-002 | 0A   |
|   |   | Serial No.  |                          |      |
|   |   | Page  | 7 of 81                  |      |

### 3. TECHNICAL SPECIFICATIONS (REFERENCE LIST)

| REFERENCE                  | TITLE  |
|----------------------------|--|
| 11099-ENG-B-GL-PB-SPE-0040 | SPECIFICATION FOR BUILDING MECHANICAL SERVICES |

**Jacobs**

TECHNICALLY ACCEPTABLE  
30/07/23

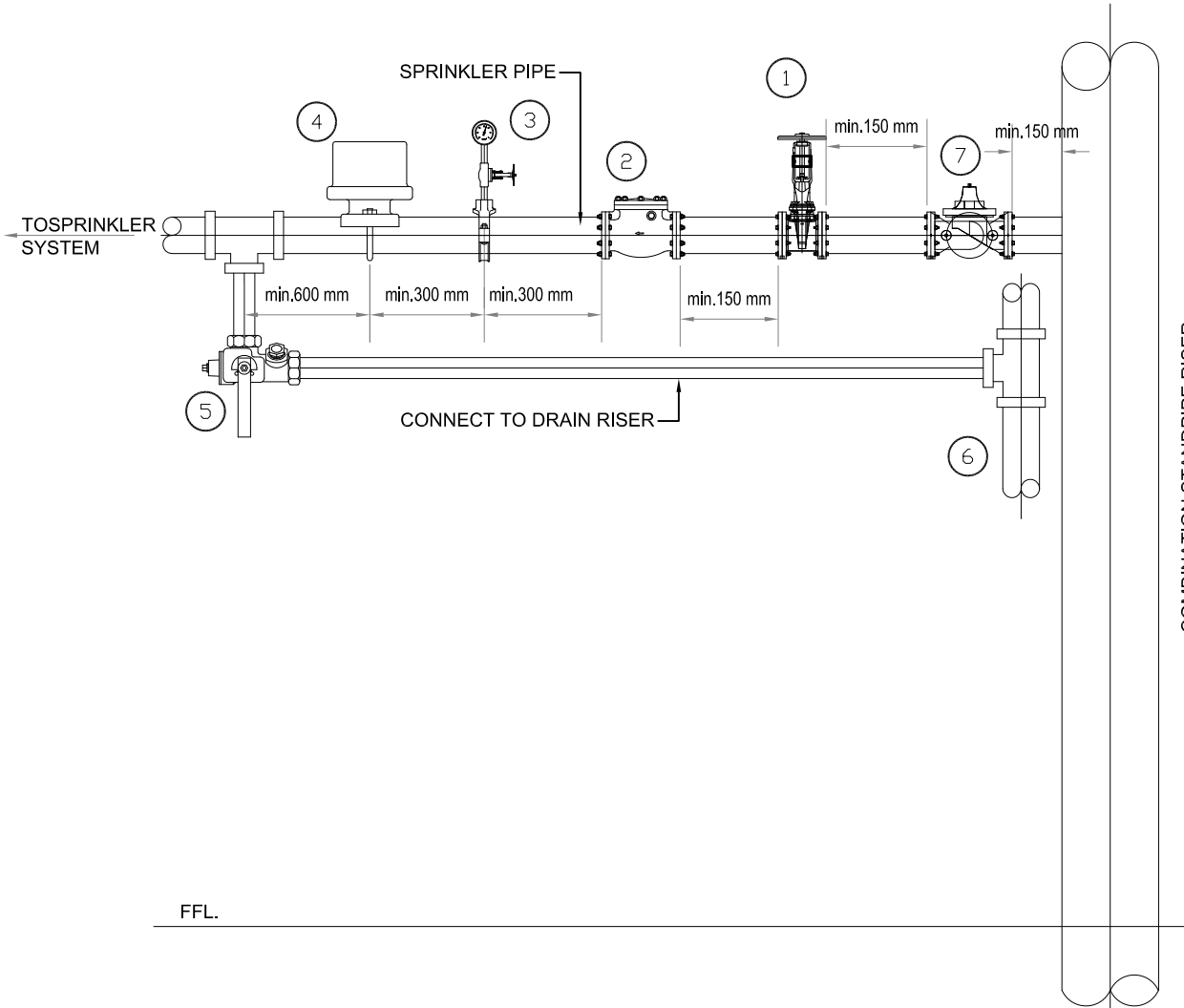
APPROVAL OF THIS DOCUMENT DOES NOT RELIEVE  
VENDOR OF HIS RESPONSIBILITY FOR DESIGN,  
FABRICATION, AND PERFORMANCE OF THE EQUIPMENT  
FURNISHED.

| <b>Sr. #</b> | <b>Description</b>          | <b>Brand Name</b>     | <b>Model</b> |
|--------------|-----------------------------|-----------------------|--------------|
| 1.1          | OS&Y Gate Valve             | American Fire Control | A-3000       |
| 1.2          | OS&Y Gate Valve             | Mueller               | R-MFP2       |
| 2.1          | Swing Check Valve           | American Fire Control | A-3150       |
| 2.2          | Swing Check Valve           | Mueller               | A2122        |
| 3            | Water Flow Switch           | Potter                | VSR          |
| 4            | Supervisory / Tamper Switch | Potter                | OSYSU        |
| 5            | Pressure Guge               | AGF                   | 7500         |
| 6            | Test & Drain Valve          | GIACOMINI             | A61          |
| 7            | Pressure Reducing Valve     | CLA-VAL               | 90G-21       |

**Jacobs**

TECHNICALLY ACCEPTABLE  
30/07/23

APPROVAL OF THIS DOCUMENT DOES NOT RELIEVE  
VENDOR OF HIS RESPONSIBILITY FOR DESIGN,  
FABRICATION, AND PERFORMANCE OF THE EQUIPMENT  
FURNISHED.



**ZONE CONTROL VALVE ASSEMBLY 6, 4" DIA. PIPE.**

| SR. NO. | DESCRIPTION                               | MODEL NO. | MAKE |
|---------|---|-----------|------|
| 1       | O.S.&Y TYPE GATE VALVE WITH TAMPER SWITCH | TBA       | TBA  |
| 2       | CHECK VALVE                               | TBA       | TBA  |
| 3       | PRESSURE GAUGE                            | TBA       | TBA  |
| 4       | FLOW SWITCH                               | TBA       | TBA  |
| 5       | COMBINATION TEST AND DRAIN VALVE          | TBA       | TBA  |
| 6       | DRAIN RISER                               | TBA       | TBA  |
| 7       | PRESSURE REDUCING VALVE                   | TBA       | TBA  |

**NOTES / REFERENCES**

- 1) ALL THE MATERIAL WILL BE INSTALLED AS APPROVED MATERIAL SUBMITTAL

**1 FLOOR CONTROL VALVE ASSEMBLY DETAIL**  
SCALE: NTS

**Jacobs**

TECHNICALLY ACCEPTABLE  
30/07/23

APPROVAL OF THIS DOCUMENT DOES NOT RELIEVE  
VENDOR OF HIS RESPONSIBILITY FOR DESIGN,  
FABRICATION, AND PERFORMANCE OF THE EQUIPMENT  
FURNISHED.



# DATA SHEET

## A-3000 OS&Y Resilient Wedge Gate Valve - Flanged Ends



**AMERICAN FIRE CONTROL**  
QUALITY IS A PRIORITY

The American A-3000 Flange OS&Y (Outside Screw and Yoke) Gate Valve is a reliable and robust valve designed for various industrial applications. This valve complies with the AWWA C515 standard ensuring high-quality performance and adherence to industry standards. It features a heavy-duty handwheel and attachment nut and high-quality graphite packing.



**Jacobs**

TECHNICALLY ACCEPTABLE  
30/07/23

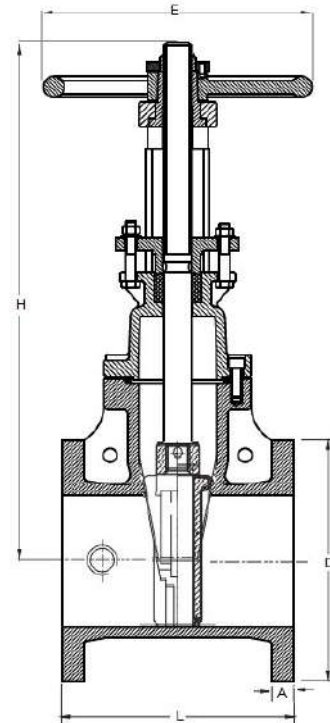
APPROVAL OF THIS DOCUMENT DOES NOT RELIEVE  
VENDOR OF HIS RESPONSIBILITY FOR DESIGN,  
FABRICATION, AND PERFORMANCE OF THE EQUIPMENT  
FURNISHED.

### SPECIFICATIONS

- Complies with AWWA C515 standard
- Flanged end to ANSI B16.1 Class 125/ANSI B16.42 Class 150/BS EN1092-2 PN16
- Size Range: Available in sizes ranging from 2.5" to 12"
- Max working pressure: 300PSI (21 bar) /Max testing pressure: 600PSI (42bar)
- Working Temperature: 0°C to 80°C (32°F to 176°F)
- Fusion-bonded epoxy coating inside and outside complying with AWWA C550 standards
- Approvals: UL listed , FM approved

### PART LIST

| ID | PART                  | MATERIAL                               |
|----|-----------------------|--|
| 1  | Valve Body            | Ductile Iron ASTM A536 65-45-12        |
| 2  | Resilient Wedge       | Ductile Iron ASTM A536/EPDM ASTM D2000 |
| 3  | Wedge Nut             | Stainless Steel 304                    |
| 4  | Dowel Pin             | Stainless Steel 304                    |
| 5  | Stem Back Seat O-Ring | EPDM ASTM D2000                        |
| 6  | Bonnet Gasket         | EPDM ASTM D2000                        |
| 7  | Bonnet                | Ductile Iron ASTM A536                 |
| 8  | Packing               | PTFE Graphite                          |
| 9  | Threaded Rod          | Stainless Steel 304                    |
| 10 | Gland                 | Ductile Iron ASTM A536 65-45-12        |
| 11 | Gland Nut             | Stainless Steel 304                    |
| 12 | Yoke                  | Ductile Iron ASTM A536 65-45-12        |
| 13 | Handwheel             | Ductile Iron ASTM A536 65-45-12        |
| 14 | Handwheel Nut         | C95400 Aluminum Bronze                 |
| 15 | Stem                  | Stainless Steel 304                    |
| 16 | Bolt                  | Stainless Steel 304                    |
| 17 | Yoke Screw            | C95400 Aluminum Bronze                 |
| 18 | NPT Plug              | C95400 Aluminum Bronze                 |



### DIMENSIONS

| SIZE |     | L     |     | H OPEN |      | H CLOSED |      | A    |     | D     |     | E     |     |
|------|-----|-------|-----|--------|------|----------|------|------|-----|-------|-----|-------|-----|
| IN.  | MM. | IN.   | MM. | IN.    | MM.  | IN.      | MM.  | IN.  | MM. | IN.   | MM. | IN.   | MM. |
| 2.5  | 65  | 7.48  | 190 | 16.96  | 431  | 14.56    | 370  | 0.70 | 18  | 7     | 178 | 7.87  | 200 |
| 3    | 80  | 7.99  | 203 | 18.46  | 469  | 16.53    | 420  | 0.74 | 19  | 7.51  | 191 | 7.87  | 200 |
| 4    | 100 | 9.01  | 229 | 21.22  | 539  | 17.59    | 447  | 0.94 | 24  | 9.01  | 229 | 10.24 | 260 |
| 6    | 150 | 10.51 | 267 | 28.18  | 716  | 23.89    | 607  | 0.98 | 25  | 10.98 | 279 | 12.39 | 315 |
| 8    | 200 | 11.49 | 292 | 36.29  | 922  | 29.68    | 754  | 1.14 | 29  | 13.50 | 343 | 14.75 | 375 |
| 10   | 250 | 12.99 | 330 | 44.64  | 1134 | 35.03    | 890  | 1.18 | 30  | 15.98 | 406 | 16.37 | 416 |
| 12   | 300 | 14.01 | 356 | 51.96  | 1320 | 40.59    | 1031 | 1.25 | 32  | 19.01 | 483 | 17.51 | 445 |

### WEIGHTS

| VALVE SIZE     | 2.5"      | 3"      | 4"        | 6"         | 8"         | 10"         | 12"         |
|----------------|-----------|---------|-----------|------------|------------|-------------|-------------|
| WEIGHT LB (KG) | 46.3 (21) | 64 (29) | 79.4 (36) | 136.7 (62) | 213.8 (97) | 315.3 (143) | 425.5 (193) |

All information contained herein is supplied by manufacturer and deemed to be accurate. Information is subject to change without notice. Purchaser is responsible for proper installation, use and maintenance of product. American Fire Control USA, LLC. passes on manufacturer's warranty but extends no other warranty. All products sold by American Fire Control USA, LLC. are subject to its full terms and conditions of sales as published and available on request. Any warranty made extends to original purchaser and is not assignable or transferable.





The American A-3150 Swing check valves are designed only for fire protection services, also referred to as non-return, retention, or one-way valve, a check valve is designed to only allow the flow of water in one direction, a swing type clapper is found inside the valve which is spring loaded preventing water from flowing in a return direction.



**SPECIFICATIONS**

- Meet or exceed the requirements of AWWA C508 Standard,
- Full waterway designed
- Max working pressure:300PSI (21 bar) /Max testing pressure 600PSI (42bar)
- Approvals:UL listed, FM approved
- Flanged ends to ANSI B 16.1 class 125 or ANSI B16.42 class 150
- Min/Max working temperature: 0°C to 80°C (32°F to 176°F)



**Jacobs**

**COATINGS**

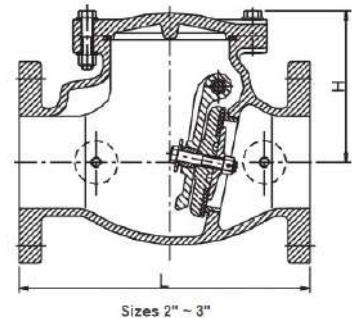
- The interior and exterior of the valve coated with fusion-bonded epoxy in accordance with ANSI/AWWA C550

**TECHNICALLY ACCEPTABLE**  
30/07/23

APPROVAL OF THIS DOCUMENT DOES NOT RELIEVE VENDOR OF HIS RESPONSIBILITY FOR DESIGN, FABRICATION, AND PERFORMANCE OF THE EQUIPMENT FURNISHED.

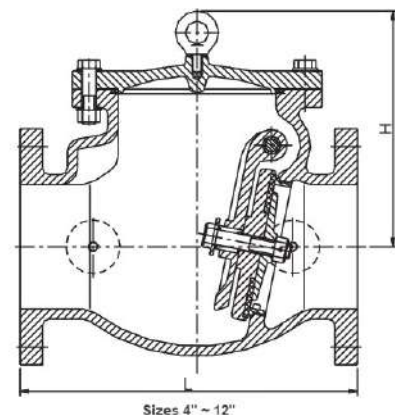
**PART LIST**

| ID | PART            | MATERIAL                         |
|----|-----------------|----------------------------------|
| 1  | Valve Body      | Ductile Iron ASTM, A536 65-45-12 |
| 2  | Cover           | Ductile Iron ASTM, A536 65-45-12 |
| 3  | Gasket          | EPDM ASTM D2000                  |
| 4  | Clapper Arm     | Ductile Iron ASTM, A536 65-45-12 |
| 5  | Disc Ring       | EPDM ASTM D2000                  |
| 6  | Disc            | Ductile Iron ASTM, A536 65-45-12 |
| 7  | Retainer Washer | Bronze ASTM A148                 |
| 8  | Hinge Pin       | Stainless Steel ASTM A276, 304   |
| 9  | Pin Plug        | Stainless Steel ASTM A276, 304   |
| 10 | Seat Ring       | Bronze ASTM A148                 |



**DIMENSIONS**

| IN   | DN    | L     | H     |
|------|-------|-------|-------|
| 2"   | DN50  | 8"    | 5.6"  |
| 2.5" | DN65  | 8.5"  | 5.8"  |
| 3"   | DN80  | 9.5"  | 6.4"  |
| 4"   | DN100 | 11.5" | 6.8"  |
| 6"   | DN150 | 14"   | 9.2"  |
| 8"   | DN200 | 19.5" | 11.8" |
| 10"  | DN250 | 24.5" | 13.7" |
| 12"  | DN300 | 27.5" | 16.5" |



**WEIGHTS**

| VALVE SIZE            | 2"     | 2.5"   | 3"     | 4"     | 6"      | 8"       | 10"      | 12"      |
|-----------------------|--------|--------|--------|--------|---------|----------|----------|----------|
| <b>WEIGHT LB (KG)</b> | 33(15) | 44(20) | 55(25) | 75(34) | 143(65) | 251(114) | 408(185) | 617(280) |

All information contained herein is supplied by manufacturer and deemed to be accurate. Information is subject to change without notice. Purchaser is responsible for proper installation, use and maintenance of product. American Fire Control USA, LLC, passes on manufacturer's warranty but extends no other warranty. All products sold by American Fire Control USA, LLC, are subject to its full terms and conditions of sales as published and available on request. Any warranty made extends to original purchaser and is not assignable or transferable.



## Submittal #COM-1873.0 - Fire Fighting Valves COM - Material Submittal

### Distribution Summary

Distributed by Ubada Dange (Contractor Main - Lynx Contracting Company) on Oct 11, 2023

**To** Omar Turk (Contractor Main - Lynx Contracting Company), Abdullah Shalan (Contractor Main - Lynx Contracting Company), Read Sabbah (Contractor Main - Lynx Contracting Company)

**Message** FOR CONST. --REFER TO THE CONSULTANT COMMENTS

**Attachments** [Jawhart Jeddah Mall FF Valve MTS Rv-0.pdf](#), [12 - MAR - firefighting valves.pdf](#)

| Name   | Response          | Attachments | Comments  |
|--|-------------------|-------------|---|
| Naseem Yousef Anaqerh<br>(Consultant - Echo Architecture)  | Approved as Noted |             | <b>Approved as noted subject to :</b><br>- all materials are UL/FM approved .<br>- all material to comply with specification and project documents.<br>- Alarm Check Valve type H with variable pressure trim with retard chamber and motor gong .<br>- Butterfly valves for shops only .<br>- follow detail of installation as per drawing and NFPA recommendation . |
| Ahmad Basheer (Contractor Main - Lynx Contracting Company) | For Record Only   |             |   |

|                               |  |                          |  |
|-------------------------------|--|--------------------------|--|
| <b>Revision</b>               | 0  | <b>Submittal Manager</b> | Ubada Dange (Contractor Main - Lynx Contracting Company) |
| <b>Status</b>                 | Closed   | <b>Date Created</b>      | Oct 1, 2023  |
| <b>Issue Date</b>             | Oct 1, 2023  | <b>Spec Section</b>      | COM - Material Submittal                                 |
| <b>Responsible Contractor</b> | SC - Injaz Technical for Contracting Est.  | <b>Received From</b>     |  |
| <b>Received Date</b>          |  | <b>Submit By</b>         |  |
| <b>Final Due Date</b>         | Oct 9, 2023  | <b>Lead Time</b>         |  |
| <b>Location</b>               | Mechanical   | <b>Cost Code</b>         | 5112500-15500 - FIRE PROTECTION                          |
| <b>Location</b>               |  | <b>Type</b>              | Manufacturer Data & Specs                                |
| <b>Approvers</b>              | Nisar Ahmed (Contractor Main - Lynx Contracting Company), Ali Danon (Contractor Main - Lynx Contracting Company), Ahmad Basheer (Contractor Main - Lynx Contracting Company), Syed Fizan (Contractor Main - Lynx Contracting Company), Marko Injac (Contractor Main - Lynx Contracting Company), Feras Jabr (Contractor Main - Lynx Contracting Company), Naseem Yousef Anaqerh (Consultant - Echo Architecture), Mohammed Jamal (Consultant - Echo Architecture), Ibrahim Quraishi (Consultant - Echo Architecture) |                          |  |
| <b>Ball in Court</b>          |  |                          |  |
| <b>Distribution</b>           | Syed Fizan (Contractor Main - Lynx Contracting Company)  |                          |  |
| <b>Description</b>            | <b>Submitted Material List:</b><br>1) OS&Y Gate Valve - American Fire Control.<br>2) Swing Check Valve - American Fire Control.  |                          |  |

- 3) Supervisory Switch - Potter.
- 4) Flow Switch - Potter.
- 5) Test & Drain Valve - HD Fire.
- 6) Pressure Gauge - AGF.
- 7) Alarm Check Valve - HD Fire.
- 8) Butterfly Valve - American Fire Control.

**Submittal Workflow**

| Name                               | Sent Date  | Due Date    | Returned Date | Response          | Attachments   |
|------------------------------------|--|-------------|---------------|-------------------|---|
| General Information<br>Attachments |  |             |               |                   | <a href="#">12 - MAR - firefighting valves.pdf</a><br><a href="#">Jawhart Jeddah Mall FF Valve MTS Rv-0.pdf</a> |
| Ubada Dange                        |  | Oct 3, 2023 | Oct 1, 2023   | Submitted         |   |
| Nisar Ahmed                        | Oct 1, 2023  | Oct 5, 2023 | Oct 2, 2023   | For Record Only   |   |
| Ali Danon                          | Oct 1, 2023  | Oct 5, 2023 |               | Pending           |   |
| Ahmad Basheer                      | Oct 2, 2023  | Oct 7, 2023 | Oct 10, 2023  | For Record Only   |   |
| <b>Comment</b>                     | for approval   |             |               |                   |   |
| Syed Fizan                         | Oct 2, 2023  | Oct 7, 2023 |               | Pending           |   |
| Marko Injac                        | Oct 2, 2023  | Oct 7, 2023 |               | Pending           |   |
| Feras Jabr                         | Oct 2, 2023  | Oct 7, 2023 |               | Pending           |   |
| Naseem<br>Yousef Anaqerh           | Oct 10, 2023   | Oct 9, 2023 | Oct 11, 2023  | Approved as Noted |   |
| <b>Comment</b>                     | <b>Approved as noted subject to :</b><br>- all maerials are UL/FM approved .<br>- all material to comply with specifaction and project documents.<br>- Alarm Check Valve type H with variable pressure trim with retard chamber and motor gong .<br>- Butterfly valves for shops only .<br>- follow detail of installtion as per drawing and NFPA recommendation . |             |               |                   |   |
| Mohammed Jamal                     | Oct 10, 2023   | Oct 9, 2023 |               | Pending           |   |
| Ibrahim Quraishi                   | Oct 10, 2023   | Oct 9, 2023 |               | Pending           |   |





KING ABDULAZIZ INTERNATIONAL  
AIRPORT  
JEDDAH- SAUDI ARABIA  
HAJJ TERMINAL COMPLEX



Project Name : Fire Protection System  
 Project ID : UDC-P-528 Contractor : UNITED DIAMOND CONTRACTORS Co.  
 Contract NO. :  
 Reference No : UDC-P528-ME-FF-MS-008 Revision No : 0 Date : 12-Feb-24  
 Subject : Fire Fighting Valves - American Fire Control - AFC  
 Specification & BOQ Reference :

| DOCUMENTS                        | DRAWINGS   | MATERIALS  |
|----------------------------------|--|--|
| Specify :<br>Technical Submittal | <input type="checkbox"/> Design Drawings<br><input type="checkbox"/> Shop Drawings<br><input type="checkbox"/> As Built Drawings | <input checked="" type="checkbox"/> Materials Submittals<br><input type="checkbox"/> Calculation<br><input type="checkbox"/> Samples |

Attachments (Hard Copies & PCM)

|                |   |                |   |
|----------------|---|----------------|---|
| Documents      | <input checked="" type="checkbox"/> Yes <input type="checkbox"/> No | Soft Copy / CD | <input checked="" type="checkbox"/> Yes <input type="checkbox"/> No |
| Drawings       | <input type="checkbox"/> Yes <input type="checkbox"/> No            | Samples        | <input type="checkbox"/> Yes <input type="checkbox"/> No            |
| Technical Data | <input checked="" type="checkbox"/> Yes <input type="checkbox"/> No | Others         |   |

| Reviewers (BIC)                                 | Initial Approval |   |   |   | Remarks  |
|---|------------------|---|---|---|--|
|   | A                | B | C | D |  |
| <input type="checkbox"/> Architectural          |                  |   |   |   |  |
| <input type="checkbox"/> Structural             |                  |   |   |   |  |
| <input checked="" type="checkbox"/> Mechanical  |                  |   |   |   | * OY&Y Gate Valves - American Fire Control - AFC |
| <input type="checkbox"/> Electrical             |                  |   |   |   |  |
| <input type="checkbox"/> Contract Administrator |                  |   |   |   |  |
| <input type="checkbox"/> PCM & Planning         |                  |   |   |   |  |
| <input type="checkbox"/> Quality Assurance      |                  |   |   |   |  |
| <input type="checkbox"/> Safety                 |                  |   |   |   |  |
| <input type="checkbox"/> Surveying              |                  |   |   |   |  |
| <input type="checkbox"/> Others                 |                  |   |   |   |  |

Final Approval Code:  
 A - Approved  C - Revise and Resubmit   
 B - Approved As Noted, Resubmittal Not Required  D - Not Approved

Consultant's Comments  
 - follow The Instructions of NFPA Code -

| UDC Representative |                      | Consultant or Client Representative |             |
|--------------------|----------------------|-------------------------------------|-------------|
| Name :             | Eng. Mahmood Ismaeil | Name :                              | Ahmed Galal |
| Signature :        |                      | Signature :                         |             |
| Date :             | 12-Feb-24            | Date :                              | 19/2/2024   |
| Stamp :            |                      | Stamp :                             |             |

0202 / / التاريخ

Documentation  
Review & Approval



اسم المشروع : إنشاء القرية الشعبية - اشبيليا

رقم المشروع Q03/2022

المقاول

المطور

الاستشاري

المرشد للمقاولات والبريكاست  
ALMARSHAD CONTRACTING & PRECASTشركة حرة اشبيلية  
للإستثمارالمركز المعماري  
ARCH. CENTRE

REQUEST FOR MATERIALS APPROVAL

طلب اعتماد مواد

2/11/2023

تاريخ التقديم:

M-MAT-14

رقم التقديم :

ميكانيكا

نوع التقديم :

REV

0

AMEICAN FIRE CONTROL

نوع المادة المقدمة :

مواصفات المادة المقدمة للإعتماد ( حسب العقد ) :

جداول الكميات والمواصفات

15-1

رقم البند:

رقم الصفحة:

15-100

رقم المواصفه:

عينات

كامل المشروع

مكان الاستخدام:

هاتف

المصنع أو الوكيل

بلد المنشأ

عينات

كامل المشروع

مكان الاستخدام:

6991226

شركة الاعمال العربية للمقاولات  
ALMARSHAD GROUP COMPANY

امريكا

(B)

TEST &amp; DRAIN VALVE ( HD FIRE)

م

امريكا

(B)

BUTTERFLY VALVE (AMEICAN FIRE CONTROL)

1

امريكا

(B)

FLOW SWITCH (POTTER)

2

امريكا

(B)

PRESSURE GAUGE (AGF)

3

Contractor's Stamp &amp; Sin

توقيع و ختم المقاول:

مدير المشروع: م/ غسان الحسين

المهندس المختص: م/ السيد هيكل

التوقيع:

التوقيع:

التاريخ: 2/11/2023

التاريخ: 2/11/2023

ملاحظات و توصيات الإستشاري :

التوصية بالرفض مع اعادة التقديم التوصية بالموافقه مع ملاحظات B التوصية بالموافقه A 

RECEIVED

04 NOV 2023

المرشد للمقاولات

اشبيلية القرية الشعبية

لا مانع من اعتماد المسودات الخرج طبقاً للأمر

① محسب لإختيار د (ZCVA) من نوع (HD Fire) (UL-FM)

② محسب فراشة Temperatures متصل لوحة إنذار الحريق (UL-FM)

③ Flow switch من نوع (Potter) - (UL-FM) لنفاث (ZCVA)

④ حاد صنف من نوع AGF - (UL-FM) ويستند لجميع دقائق الغاز من (ZCVA)

أما مفتاح الحريق  
ويتم تدعيم شرائح المنشأ عند لتوريد من موقع مع شهادات لضمان

مدير المشروع: م/ صلاح كامل

المهندس المختص: م/ سامح نصير

التوقيع:

التوقيع:

التاريخ: 2023/11/8

التاريخ: 2023/11/8

المركز المعماري  
ARCH. CENTRE  
مشروع القرية الشعبية في

ملاحظات هامه :

1 : هذا النموذج الكميات مطلوب من قبل المقاول

2

: هذا النموذج الكميات مطلوب من قبل المقاول

مشروع  
استكمال متطلبات الدفاع المدني لإصلاحية الطائف

طلب اعتماد مواد المشروع

الذات - وزارة الداخلية - المديرية العامة للمحور  
المحور الرئيسي : مجموعة من لادن السعودية  
الاستشاري الرئيسي : شركة دار الهندسة  
استشاري أعمال السلامة : مكتب عالم الاستشارات  
محول أعمال الدفاع المدني : شركة أنظمة المدن المحدودة

| التاريخ   | اسم المشروع                                   | رقم المشروع | رقم التقييم |
|-----------|---|-------------|-------------|
| 2024-4-21 | استكمال متطلبات الدفاع المدني لإصلاحية الطائف | 1           | 1           |

| مقدم إلى    | مكتب عالم الاستشارات الهندسية | مواد | موضوع طلب | ملحوظات | طلبات تغيير | وثيقة نظام | أخرى |
|-------------|-------------------------------|------|-----------|---------|-------------|------------|------|
| نوع التقييم | مكتب عالم الاستشارات الهندسية | مواد | موضوع طلب | ملحوظات | طلبات تغيير | وثيقة نظام | أخرى |
| نوع التقييم | مكتب عالم الاستشارات الهندسية | مواد | موضوع طلب | ملحوظات | طلبات تغيير | وثيقة نظام | أخرى |

لمح طيار  
الدرك المصممة  
American Fire Control, Tyco, Viking & HD Fire

مواصفات المنتج الفنية + تقرير اختيار

1- بما كسر على أن تكون هناك جانب قبل الإرسال على كل شيء كالتالي

2- الرجوع في الإرسال

3- الرجوع في الإرسال

| حالة المراجعة | قيد الانتظار | موافقة | وافق كما لوحظ | تم إعادة الإرسال الرافض | غير مكتمل - إعادة الإرسال |
|---------------|--------------|--------|---------------|-------------------------|---------------------------|
| حالة المراجعة | قيد الانتظار | موافقة | وافق كما لوحظ | تم إعادة الإرسال الرافض | غير مكتمل - إعادة الإرسال |



2024/4/21

عزم المطور





**MAERSK**

**MAERSK  
HEAD OFFICE JEDDAH  
( RASD BUILDING )**



**UNITED DIAMOND CONTRACTORS CO.**  
شركة الماس الماسونيه  
For Construction العامة المقاولات

Project Name : MAERSK HEAD OFFICE JEDDAH ( RASD BUILDING )

Project ID : UDC-P 595 Contractor : UNITED DIAMOND CONTRACTORS Co.

Contract NO. : \_\_\_\_\_

Reference No : UDC-P585-ME-DR-MAT-007 Revision No : 0 Date : 19-Jun-23

Subject : FF - Zone Control Valve

Specification & BOQ Reference : \_\_\_\_\_

| DOCUMENTS                             | DRAWINGS   | MATERIALS  |
|---------------------------------------|--|--|
| Specify:<br>Technical Submittal _____ | <input type="checkbox"/> Design Drawings<br><input type="checkbox"/> Shop Drawings<br><input type="checkbox"/> As Built Drawings | <input checked="" type="checkbox"/> Materials Submittals<br><input type="checkbox"/> Calculation<br><input type="checkbox"/> Samples |

Attachments (Hard Copies & PGM)

|                |   |                |   |
|----------------|---|----------------|---|
| Documents      | <input checked="" type="checkbox"/> Yes <input type="checkbox"/> No | Soft Copy / CD | <input checked="" type="checkbox"/> Yes <input type="checkbox"/> No |
| Drawings       | <input type="checkbox"/> Yes <input type="checkbox"/> No            | Samples        | <input type="checkbox"/> Yes <input type="checkbox"/> No            |
| Technical Data | <input checked="" type="checkbox"/> Yes <input type="checkbox"/> No | Others         |   |

| Reviewers (BIC)                                 | Initial Approval | Initial Approval |   |   |   | Remarks  |
|---|------------------|------------------|---|---|---|--|
|   |                  | A                | B | C | D |  |
| <input type="checkbox"/> Architectural          |                  |                  |   |   |   |  |
| <input type="checkbox"/> Structural             |                  |                  |   |   |   |  |
| <input checked="" type="checkbox"/> Mechanical  |                  |                  |   |   |   | Fire Fighting - Zone Control Valve<br>- American Fire Control - Mueller<br>- Potter - Ashcroft - AGF - Giacomini |
| <input type="checkbox"/> Electrical             |                  |                  |   |   |   |  |
| <input type="checkbox"/> Contract Administrator |                  |                  |   |   |   |  |
| <input type="checkbox"/> PCM & Planning         |                  |                  |   |   |   |  |
| <input type="checkbox"/> Quality Assurance      |                  |                  |   |   |   |  |
| <input type="checkbox"/> Safety                 |                  |                  |   |   |   |  |
| <input type="checkbox"/> Surviving              |                  |                  |   |   |   |  |
| <input type="checkbox"/> Others                 |                  |                  |   |   |   |  |

Final Approval Code:

A - Approved  C - Revise and Resubmit

B - Approved As Noted, Resubmittal Not Required  D - Not Approved

Consultant's Comments

*Accepted.*

| UDC Representative             | Consultant or Client Representative |
|--------------------------------|-------------------------------------|
| Name : Mahmoud Isameil Mohamed | Name : <i>Enayeh Masoud</i>         |
| Signature : _____              | Signature : <i>[Signature]</i>      |
| Date : _____                   | Date : <i>20/06/23</i>              |
| Stamp : _____                  | Stamp : _____                       |

**BABILI**  
Design Department

Documentation  
Review & Approval



## Material List

| <b>Sr.#</b> | <b>Description</b>          | <b>Brand Name</b>     | <b>Model</b> |
|-------------|-----------------------------|-----------------------|--------------|
| 1.1         | OS&Y Gate Valve             | American Fire Control | A-3000       |
| 1.2         | OS&Y Gate Valve             | Mueller               | R-MFP2       |
| 2           | Swing Check Valve           | American Fire Control | A-3150       |
| 3           | Water Flow Switch           | Potter                | VSR          |
| 4           | Supervisory / Tamper Switch | Potter                | OSYSU        |
| 5.1         | Pressure Guge               | Ashcroft              | 1005P        |
| 5.2         | Pressure Guge               | AGF                   | 7500         |
| 6.1         | Test & Drain Valve          | American Fire Control | TDF-100      |
| 6.2         | Test & Drain Valve          | GIACOMINI             | A61          |

| Material Submittal |  |         |    |       |            |
|--------------------|--|---------|----|-------|------------|
| Submittal Ref:     | RAC-AEC-MK27-TSL-MEC-0035  | Rev No: | 00 | Date: | 04/07/2024 |
| Program Title:     | Developmental Housing Program of Saudi Arabia                      |         |    |       |            |
| Project Title:     | AL-SADAN, Jeddah, P1&P3, (Contract # 23001513)                     |         |    |       |            |
| The Employer:      | National Housing Company (NHC)                                     |         |    |       |            |
| Third party:       | Dar AL Riyadh  |         |    |       |            |
| Consultant:        | Al Mnabr Consulting Engineering                                    |         |    |       |            |
| Contractor:        | REZAIK ABDULAH SAEID ALGEDRAWY ALSEBAITY AND PARTNERS COMPANY LTD. |         |    |       |            |

**Guidance notes:**  
The submission should only include documents which are deemed compliant with the SOPR, Applicable Codes and have been reviewed and coordinated between the Contractor and Designer (and Engineer if applicable) and should include any authorised variations/changes as instructed.

**Review Discipline:**

|               |                          |                  |                          |            |                                     |       |                          |                  |                          |
|---------------|--------------------------|------------------|--------------------------|------------|-------------------------------------|-------|--------------------------|------------------|--------------------------|
| Architectural | <input type="checkbox"/> | Structural/Civil | <input type="checkbox"/> | MECH/Plumb | <input checked="" type="checkbox"/> | Elec. | <input type="checkbox"/> | Others (specify) | <input type="checkbox"/> |
|---------------|--------------------------|------------------|--------------------------|------------|-------------------------------------|-------|--------------------------|------------------|--------------------------|

| Material Details:  |  | DAR AL RIYADH Review                     |  |
|--|--|--|--|
| Notes: DAR AL RIYADH review will recommend either Objection or No Objection to each item. Non-Objected shall be issued to the NHC with the recommendation to approve. Objected shall be returned to the Contractor with an Objection report. |  |  |  |
| Proposed by: REZAIK AL GEDRAWY CO.   |  | The Consultant (Designer & The Engineer) |  |
| Sign/Stamp   |  | Sign/Stamp                               |  |

| Material Information             |  | Checklist                         |                                     |
|----------------------------------|--|-----------------------------------|-------------------------------------|
| Location/element Ref:            | Mechanical Works                                       | Drawing/Specification             | <input type="checkbox"/>            |
| Specified Material:              | FIREFIGHTING VALVES AND SPRINKLER SYSTEM               | Product Datasheet                 | <input checked="" type="checkbox"/> |
| Proposed Material:               | FIREFIGHTING VALVES AND SPRINKLER SYSTEM               | Compliance Certificates/Documents | <input checked="" type="checkbox"/> |
| Manufacturer & Product code ref: | United Diamond Contractors Company.                    | Compliance Statement              | <input checked="" type="checkbox"/> |
| Remarks/Notes:                   | Pre-Qualification Approved - RAC-AEC-MK27-SAT-MEC-0027 | Sample (available)                | <input checked="" type="checkbox"/> |

Approved ,all missing government certificate should be provide with technical submittal , test and country of region shall be submit ,comply with NFPA , shamble board shall be submit ,final approval as per NHC

|               |              |               |          |          |         |                |
|---------------|--------------|---------------|----------|----------|---------|----------------|
| THE ENGINEER* | Review Date: | 4-7-2024      | Rejected | Approved | Signed: | M. abdelrrhman |
|               | Print Name:  | M.abdelrrhman |          | ✓        |         |                |

|     |                              |                |           |              |         |  |
|-----|------------------------------|----------------|-----------|--------------|---------|--|
| PMC | Recommendations to NHC Date: | 07-07-2024     | Objection | No Objection | Signed: |  |
|     | Print Name:                  | Amanullah khan |           | ✓            |         |  |

|     |              |          |           |              |         |  |
|-----|--------------|----------|-----------|--------------|---------|--|
| NHC | Review Date: | 07.07.24 | Objection | No Objection | Signed: |  |
|     | Print Name:  | S A HUL  |           | ✓            |         |  |

Dar Review Comments: - No Objection subject to complying with following comments:

- Verified the sample board on page no: 05 and found acceptable.
- The design and installation of all fire protection systems shall comply with NFPA standards and civil defense requirements.
- All expired certificates shall be renewed and updated.
- Firefighting material handling, storage, and testing shall be as per manufacturer recommendation and approved method of statements.
- Warranty certificate shall be as per project SOPR requirements.
- Subject to approval/compliance/coordination of all authority requirements and other disciplines.
- Comply with engineer comments.
- Final approval shall be subjected to testing and commissioning of all firefighting material and local civil defense authority requirements and acceptance.

| Supplier Approval Request |  |         |    |       |            |
|---------------------------|--|---------|----|-------|------------|
| Submittal Ref:            | RAC-AEC-MK27-SAT-MEC-0027  | Rev No: | 00 | Date: | 20/02/2024 |
| Program Title:            | Developmental Housing Program of Saudi Arabia                      |         |    |       |            |
| Project Title:            | AL-SADAN, Jeddah, P1&P3, (Contract # 23001513)                     |         |    |       |            |
| The Employer:             | National Housing Company (NHC)                                     |         |    |       |            |
| Third party:              | Dar AL Riyadh  |         |    |       |            |
| Consultant:               | Al Mnabr Consulting Engineering                                    |         |    |       |            |
| Contractor:               | REZAIK ABDULAH SAEID ALGEDRAWY ALSEBAITY AND PARTNERS COMPANY LTD. |         |    |       |            |

**Guidance notes:**  
The submission should only include documents which are deemed compliant with the SOPR, Applicable Codes and have been reviewed and coordinated between the Contractor and Designer (and Engineer if applicable) and should include any authorised variations/changes as instructed.

**Review Discipline:**

|               |                          |                  |                          |            |                                     |       |                          |                  |                          |
|---------------|--------------------------|------------------|--------------------------|------------|-------------------------------------|-------|--------------------------|------------------|--------------------------|
| Architectural | <input type="checkbox"/> | Structural/Civil | <input type="checkbox"/> | MECH/Plumb | <input checked="" type="checkbox"/> | Elec. | <input type="checkbox"/> | Others (specify) | <input type="checkbox"/> |
|---------------|--------------------------|------------------|--------------------------|------------|-------------------------------------|-------|--------------------------|------------------|--------------------------|

|  |  |                      |  |  |  |
|--|--|----------------------|--|--|--|
| Document Details: ✓  |  | DAR AL RIYADH Review |  |  |  |
| Notes: DAR AL RIYADH review will recommend either Objection or No Objection to each item. Non-Objected shall be issued to the NHC with the recommendation to approve. Objected shall be returned to the Contractor with an Objection report. |  |                      |  |  |  |
| The Title: Pre-Qualification of United Diamond Contractors Co.   |  |                      |  |  |  |
| Proposed by: REZAIK AL GEDRAWY CO.   |  |                      | The Consultant (Designer & The Engineer) |  |  |
| Sign/Stamp   |  |                      | Sign/Stamp                               |  |  |

| S. No: | Document Title/Description:                         | Reference No: | Rev No: | Remarks       |
|--------|---|---------------|---------|---------------|
| 1      | Pre-Qualification of United Diamond Contractors Co. |               |         | Attached file |

**Reviewed for compliance by:**  
Notes: The Engineer\* shall review and approve when the Supervision Consultant differs from the Designer only. DAR AL RIYADH shall only issue recommendations based upon 'No Objection' to the Client. Any 'Objections' shall be returned to the Contractor with a review report for action and may be copied to the NHC when necessary.

|               |              |              |          |          |                      |
|---------------|--------------|--------------|----------|----------|----------------------|
| THE ENGINEER* | Review Date: | 21-02-2024   | Rejected | Approved | Signed: M.abdelrhman |
|               | Print Name:  | M.abdelrhman |          | ✓        |                      |

|     |                              |                |           |              |         |
|-----|------------------------------|----------------|-----------|--------------|---------|
| PMC | Recommendations to NHC Date: | 26-02-2024     | Objection | No Objection | Signed: |
|     | Print Name:                  | Amanullah Khan |           | ✓            |         |

|     |              |          |           |              |         |
|-----|--------------|----------|-----------|--------------|---------|
| NHC | Review Date: | 04.03.24 | Objection | No Objection | Signed: |
|     | Print Name:  | S A HUL  |           | ✓            |         |

- Dar Review Comments: 1. No objection for the proposed supplier.  
2. All the fire fighting material shall be signed by third party consultant and attached the photos for NHC/DAR approval in the material submittal  
3. All legal documents to be valid and updated during delivery.



# TECHNICAL SUBMITTAL

|                        |   |  |
|------------------------|---|--|
| <b>Project Name</b>    | : | El Sadan Society Jeddah  |
| <b>Client</b>          | : | National Housing Company   |
| <b>Consultant</b>      | : | Dar Al Riyadh  |
| <b>FF Consultant</b>   | : | Al Mnabr Consultng   |
| <b>Main Contractor</b> | : | Rezaik Al Gedrawy Company  |
| <b>FF Supplier</b>     | : | United Diamond Contractors   |
| <b>Scope Of Work</b>   | : | 1-Fire Fighting Valves – AFC<br>2-Fire Fighting Valves<br>3-Sprinkler System |
| <b>Ref. #</b>          | : | UDC-P698-ME-FF-MAT-002   |

**Date : 1 July 2024**



# INDEX

| Sr. # | Description                |
|-------|----------------------------|
| 1     | Fire Fighting Valves – AFC |
| 2     | Fire Fighting Valves       |
| 3     | Sprinkler System           |



The American AG-3000 Grooved OS&Y (Outside Screw and Yoke) Gate Valve is a reliable and robust valve designed for various industrial applications. This valve complies with the AWWA C515 standard ensuring high-quality performance and adherence to industry standards. It features a heavy-duty handwheel and attachment nut and high-quality graphite.

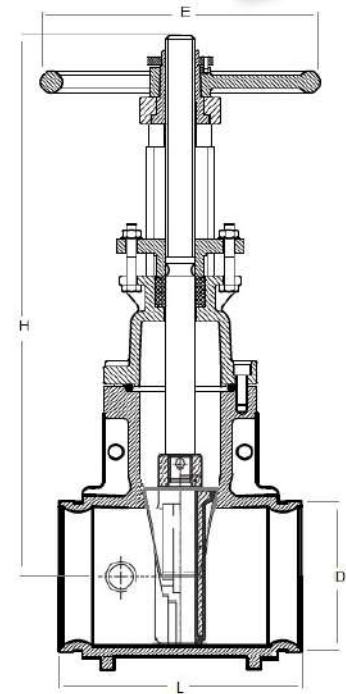


**SPECIFICATIONS**

- Complies with AWWA C515 standard
- End Connections: Groove to AWWA C606
- Size Range: Available in sizes ranging from 2.5" to 12"
- Max working pressure: 300PSI (21 bar) /Max testing pressure: 600PSI (42bar)
- Working Temperature: 0°C to 80°C (32°F to 176°F)
- Fusion-bonded epoxy coating inside and outside complying with AWWA C550 standards
- Approvals: UL listed , FM approved

**PART LIST**

| ID | PART                  | MATERIAL                               |
|----|-----------------------|--|
| 1  | Valve Body            | Ductile Iron ASTM A536 65-45-12        |
| 2  | Resilient Wedge       | Ductile Iron ASTM A536/EPDM ASTM D2000 |
| 3  | Wedge Nut             | Stainless Steel 304                    |
| 4  | Dowel Pin             | Stainless Steel 304                    |
| 5  | Stem Back Seat O-Ring | EPDM ASTM D2000                        |
| 6  | Bonnet Gasket         | EPDM ASTM D2000                        |
| 7  | Bonnet                | Ductile Iron ASTM A536                 |
| 8  | Packing               | PTFE Graphite                          |
| 9  | Threaded Rod          | Stainless Steel 304                    |
| 10 | Gland                 | Ductile Iron ASTM A536 65-45-12        |
| 11 | Gland Nut             | Stainless Steel 304                    |
| 12 | Yoke                  | Ductile Iron ASTM A536 65-45-12        |
| 13 | Handwheel             | Ductile Iron ASTM A536 65-45-12        |
| 14 | Handwheel Nut         | C95400 Aluminum Bronze                 |
| 15 | Stem                  | Stainless Steel 304                    |
| 16 | Bolt                  | Stainless Steel 304                    |
| 17 | Yoke Screw            | C95400 Aluminum Bronze                 |
| 18 | NPT Plug              | C95400 Aluminum Bronze                 |



**DIMENSIONS**

| SIZE |     | L     |     | H OPEN |      | H CLOSED |      | E     |     | D     |       |
|------|-----|-------|-----|--------|------|----------|------|-------|-----|-------|-------|
| IN.  | MM. | IN.   | MM. | IN.    | MM.  | IN.      | MM.  | IN.   | MM. | IN.   | MM.   |
| 2.5  | 65  | 7.48  | 190 | 16.96  | 431  | 14.56    | 370  | 7.87  | 200 | 2.99  | 76    |
| 3    | 80  | 7.99  | 203 | 18.46  | 469  | 16.53    | 420  | 7.87  | 200 | 3.5   | 88.9  |
| 4    | 100 | 9.01  | 229 | 21.22  | 539  | 17.59    | 447  | 10.24 | 260 | 4.5   | 114.3 |
| 6    | 150 | 10.51 | 267 | 28.18  | 716  | 23.89    | 607  | 12.39 | 315 | 6.62  | 168.3 |
| 8    | 200 | 11.49 | 292 | 36.29  | 922  | 29.68    | 754  | 14.75 | 375 | 8.62  | 219.1 |
| 10   | 250 | 12.99 | 330 | 44.64  | 1134 | 35.03    | 890  | 16.37 | 416 | 10.74 | 273   |
| 12   | 300 | 14.01 | 356 | 51.96  | 1320 | 40.59    | 1031 | 17.51 | 445 | 12.75 | 323.9 |

**WEIGHTS**

| VALVE SIZE     | 2.5"       | 3"       | 4"       | 6"        | 8"        | 10"        | 12"        |
|----------------|------------|----------|----------|-----------|-----------|------------|------------|
| WEIGHT LB (KG) | 36.4(16.5) | 48.5(22) | 57.3(26) | 105.8(48) | 158.7(72) | 240.3(109) | 337.3(153) |

All information contained herein is supplied by manufacturer and deemed to be accurate. Information is subject to change without notice. Purchaser is responsible for proper installation, use and maintenance of product. American Fire Control USA, LLC. passes on manufacturer's warranty but extends no other warranty. All products sold by American Fire Control USA, LLC. are subject to its full terms and conditions of sales as published and available on request. Any warranty made extends to original purchaser and is not assignable or transferable.





The American AG-3500 Grooved swing check valves are designed to exclusively permit the flow of water in one direction. Inside the valve a swing-type clapper equipped with a spring mechanism ensures that water can only move in the intended direction preventing any backflow. This critical feature is essential for maintaining the effectiveness and reliability of fire protection systems.



**SPECIFICATIONS**

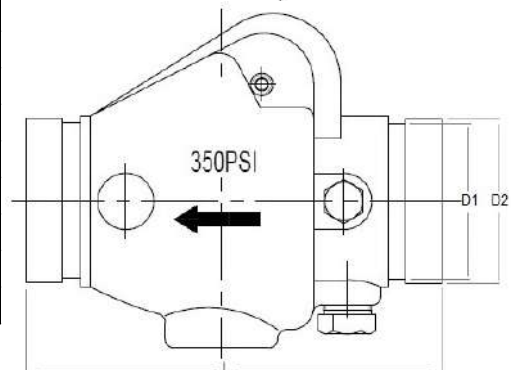
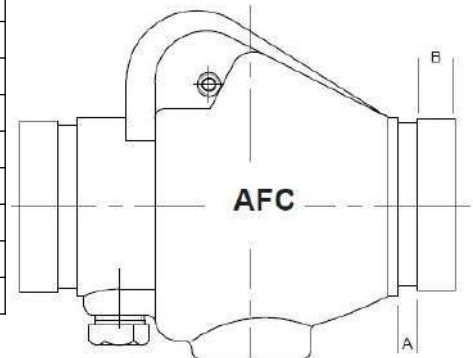
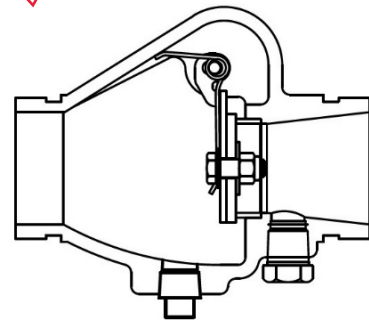
- Grooved dimensions comply with metric or AWWA C606 standard
- Max working pressure:350PSI (24 bar) /Max testing pressure 700PSI (48 bar)
- Approvals: UL listed, FM approved
- Min/Max working temperature: 0°C to 80°C (32°F to 176°F)
- Application: indoor and outdoor use
- Installation: horizontal or vertical

**COATINGS**

- The interior and exterior of the valve coated with fusion-bonded epoxy in accordance with ANSI/AWWA C550 or painting according to request

**PART LIST**

| ID | PART          | MATERIAL                         |
|----|---------------|----------------------------------|
| 1  | Valve Body    | Ductile Iron ASTM, A536 65-45-12 |
| 2  | Clapper       | Stainless Steel ASTM A276, 304   |
| 3  | Coil Spring   | Stainless Steel ASTM A276, 304   |
| 4  | Nut           | Stainless Steel ASTM A276, 304   |
| 5  | Bolt          | Stainless Steel ASTM A276, 304   |
| 6  | Spring Washer | Stainless Steel ASTM A276, 304   |
| 7  | Seal Ring     | EPDM ASTM D2000                  |
| 8  | Seat          | Bronze , C95400                  |
| 9  | Drain Plug    | Stainless Steel ASTM A276, 304   |
| 10 | Pin Plug      | Stainless Steel ASTM A276, 304   |
| 11 | Gasket        | EPDM ASTM D2000                  |
| 12 | Hinge Pin     | Stainless Steel ASTM A276, 304   |



**DIMENSIONS**

| IN   | DN    | A     | B     | D1     | D2     | L      |
|------|-------|-------|-------|--------|--------|--------|
| 2"   | DN50  | 0.31" | 0.63" | 2.25"  | 2.37"  | 6.65"  |
| 2.5" | DN65  | 0.31" | 0.63" | 2.84"  | 2.99"  | 7.12"  |
| 3"   | DN80  | 0.31" | 0.63" | 3.34"  | 3.50"  | 7.79"  |
| 4"   | DN100 | 0.37" | 0.63" | 4.33"  | 4.50"  | 8.42"  |
| 6"   | DN150 | 0.37" | 0.63" | 6.33"  | 6.62"  | 10.63" |
| 8"   | DN200 | 0.44" | 0.75" | 8.44"  | 8.63"  | 12.80" |
| 10"  | DN250 | 0.50" | 0.75" | 10.75" | 10.55" | 17.99" |
| 12"  | DN300 | 0.50" | 0.75" | 12.75" | 12.53" | 21.06" |

**WEIGHTS**

| VALVE SIZE | 2"     | 2.5"   | 3"     | 4"     | 6"      | 8"      | 10"     | 12"     |
|------------|--------|--------|--------|--------|---------|---------|---------|---------|
| WEIGHT LB  | 6.17   | 10.14  | 13.66  | 19.62  | 44.75   | 78.70   | 124.12  | 173.72  |
| (KG)       | (2.80) | (4.60) | (6.20) | (8.90) | (20.30) | (35.70) | (56.30) | (78.80) |

All information contained herein is supplied by manufacturer and deemed to be accurate. Information is subject to change without notice. Purchaser is responsible for proper installation, use and maintenance of product. American Fire Control USA, LLC, passes on manufacturer's warranty but extends no other warranty. All products sold by American Fire Control USA, LLC, are subject to its full terms and conditions of sales as published and available on request. Any warranty made extends to original purchaser and is not assignable or transferable.





# DATA SHEET

## A-3000 OS&Y Resilient Wedge Gate Valve - Flanged Ends



**AMERICAN FIRE CONTROL**  
QUALITY IS A PRIORITY

The American A-3000 Flange OS&Y (Outside Screw and Yoke) Gate Valve is a reliable and robust valve designed for various industrial applications. This valve complies with the AWWA C515 standard ensuring high-quality performance and adherence to industry standards. It features a heavy-duty handwheel and attachment nut and high-quality graphite packing.

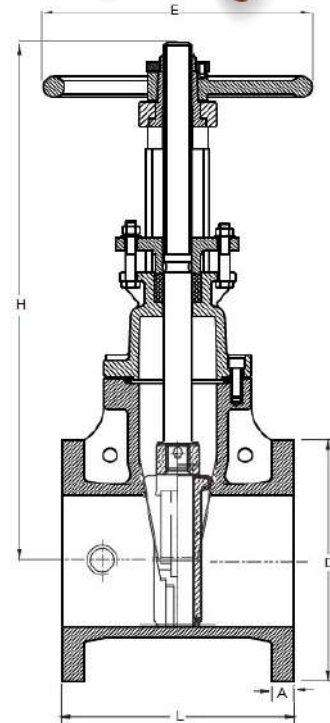


### SPECIFICATIONS

- Complies with AWWA C515 standard
- Flanged end to ANSI B16.1 Class 125/ANSI B16.42 Class 150/BS EN1092-2 PN16
- Size Range: Available in sizes ranging from 2.5" to 12"
- Max working pressure: 300PSI (21 bar) /Max testing pressure: 600PSI (42bar)
- Working Temperature: 0°C to 80°C (32°F to 176°F)
- Fusion-bonded epoxy coating inside and outside complying with AWWA C550 standards
- Approvals: UL listed , FM approved

### PART LIST

| ID | PART                  | MATERIAL                               |
|----|-----------------------|--|
| 1  | Valve Body            | Ductile Iron ASTM A536 65-45-12        |
| 2  | Resilient Wedge       | Ductile Iron ASTM A536/EPDM ASTM D2000 |
| 3  | Wedge Nut             | Stainless Steel 304                    |
| 4  | Dowel Pin             | Stainless Steel 304                    |
| 5  | Stem Back Seat O-Ring | EPDM ASTM D2000                        |
| 6  | Bonnet Gasket         | EPDM ASTM D2000                        |
| 7  | Bonnet                | Ductile Iron ASTM A536                 |
| 8  | Packing               | PTFE Graphite                          |
| 9  | Threaded Rod          | Stainless Steel 304                    |
| 10 | Gland                 | Ductile Iron ASTM A536 65-45-12        |
| 11 | Gland Nut             | Stainless Steel 304                    |
| 12 | Yoke                  | Ductile Iron ASTM A536 65-45-12        |
| 13 | Handwheel             | Ductile Iron ASTM A536 65-45-12        |
| 14 | Handwheel Nut         | C95400 Aluminum Bronze                 |
| 15 | Stem                  | Stainless Steel 304                    |
| 16 | Bolt                  | Stainless Steel 304                    |
| 17 | Yoke Screw            | C95400 Aluminum Bronze                 |
| 18 | NPT Plug              | C95400 Aluminum Bronze                 |



### DIMENSIONS

| SIZE |     | L     |     | H OPEN |      | H CLOSED |      | A    |     | D     |     | E     |     |
|------|-----|-------|-----|--------|------|----------|------|------|-----|-------|-----|-------|-----|
| IN.  | MM. | IN.   | MM. | IN.    | MM.  | IN.      | MM.  | IN.  | MM. | IN.   | MM. | IN.   | MM. |
| 2.5  | 65  | 7.48  | 190 | 16.96  | 431  | 14.56    | 370  | 0.70 | 18  | 7     | 178 | 7.87  | 200 |
| 3    | 80  | 7.99  | 203 | 18.46  | 469  | 16.53    | 420  | 0.74 | 19  | 7.51  | 191 | 7.87  | 200 |
| 4    | 100 | 9.01  | 229 | 21.22  | 539  | 17.59    | 447  | 0.94 | 24  | 9.01  | 229 | 10.24 | 260 |
| 6    | 150 | 10.51 | 267 | 28.18  | 716  | 23.89    | 607  | 0.98 | 25  | 10.98 | 279 | 12.39 | 315 |
| 8    | 200 | 11.49 | 292 | 36.29  | 922  | 29.68    | 754  | 1.14 | 29  | 13.50 | 343 | 14.75 | 375 |
| 10   | 250 | 12.99 | 330 | 44.64  | 1134 | 35.03    | 890  | 1.18 | 30  | 15.98 | 406 | 16.37 | 416 |
| 12   | 300 | 14.01 | 356 | 51.96  | 1320 | 40.59    | 1031 | 1.25 | 32  | 19.01 | 483 | 17.51 | 445 |

### WEIGHTS

| VALVE SIZE     | 2.5"      | 3"      | 4"        | 6"         | 8"         | 10"         | 12"         |
|----------------|-----------|---------|-----------|------------|------------|-------------|-------------|
| WEIGHT LB (KG) | 46.3 (21) | 64 (29) | 79.4 (36) | 136.7 (62) | 213.8 (97) | 315.3 (143) | 425.5 (193) |

All information contained herein is supplied by manufacturer and deemed to be accurate. Information is subject to change without notice. Purchaser is responsible for proper installation, use and maintenance of product. American Fire Control USA, LLC. passes on manufacturer's warranty but extends no other warranty. All products sold by American Fire Control USA, LLC. are subject to its full terms and conditions of sales as published and available on request. Any warranty made extends to original purchaser and is not assignable or transferable.

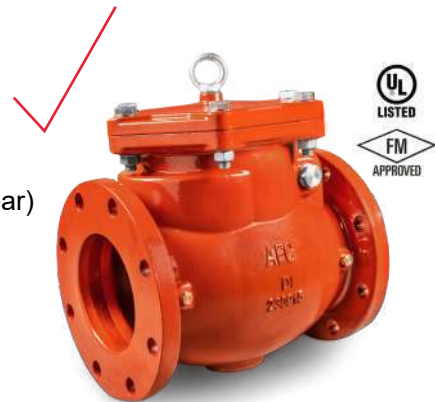




The American A-3150 Swing check valves are designed only for fire protection services, also referred to as non-return, retention, or one-way valve, a check valve is designed to only allow the flow of water in one direction, a swing type clapper is found inside the valve which is spring loaded preventing water from flowing in a return direction.

**SPECIFICATIONS**

- Meet or exceed the requirements of AWWA C508 Standard,
- Full waterway designed
- Max working pressure:300PSI (21 bar) /Max testing pressure 600PSI (42bar)
- Approvals:UL listed, FM approved
- Flanged ends to ANSI B 16.1 class 125 or ANSI B16.42 class 150
- Min/Max working temperature: 0°C to 80°C (32°F to 176°F)

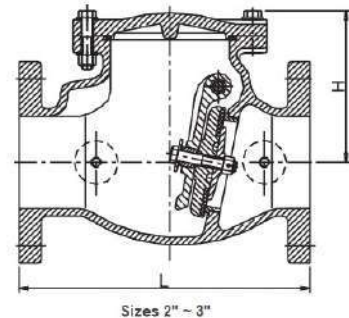


**COATINGS**

- The interior and exterior of the valve coated with fusion-bonded epoxy in accordance with ANSI/AWWA C550

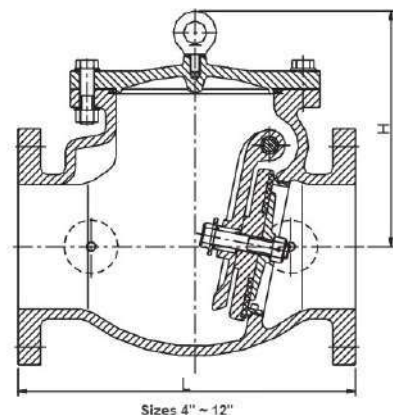
**PART LIST**

| ID | PART            | MATERIAL                         |
|----|-----------------|----------------------------------|
| 1  | Valve Body      | Ductile Iron ASTM, A536 65-45-12 |
| 2  | Cover           | Ductile Iron ASTM, A536 65-45-12 |
| 3  | Gasket          | EPDM ASTM D2000                  |
| 4  | Clapper Arm     | Ductile Iron ASTM, A536 65-45-12 |
| 5  | Disc Ring       | EPDM ASTM D2000                  |
| 6  | Disc            | Ductile Iron ASTM, A536 65-45-12 |
| 7  | Retainer Washer | Bronze ASTM A148                 |
| 8  | Hinge Pin       | Stainless Steel ASTM A276, 304   |
| 9  | Pin Plug        | Stainless Steel ASTM A276, 304   |
| 10 | Seat Ring       | Bronze ASTM A148                 |



**DIMENSIONS**

| IN   | DN    | L     | H     |
|------|-------|-------|-------|
| 2"   | DN50  | 8"    | 5.6"  |
| 2.5" | DN65  | 8.5"  | 5.8"  |
| 3"   | DN80  | 9.5"  | 6.4"  |
| 4"   | DN100 | 11.5" | 6.8"  |
| 6"   | DN150 | 14"   | 9.2"  |
| 8"   | DN200 | 19.5" | 11.8" |
| 10"  | DN250 | 24.5" | 13.7" |
| 12"  | DN300 | 27.5" | 16.5" |




**WEIGHTS**

| VALVE SIZE            | 2"     | 2.5"   | 3"     | 4"     | 6"      | 8"       | 10"      | 12"      |
|-----------------------|--------|--------|--------|--------|---------|----------|----------|----------|
| <b>WEIGHT LB (KG)</b> | 33(15) | 44(20) | 55(25) | 75(34) | 143(65) | 251(114) | 408(185) | 617(280) |

All information contained herein is supplied by manufacturer and deemed to be accurate. Information is subject to change without notice. Purchaser is responsible for proper installation, use and maintenance of product. American Fire Control USA, LLC, passes on manufacturer's warranty but extends no other warranty. All products sold by American Fire Control USA, LLC, are subject to its full terms and conditions of sales as published and available on request. Any warranty made extends to original purchaser and is not assignable or transferable.



|   |                                       |                             |
|---|---------------------------------------|-----------------------------|
|  | <b>Design Change Notice</b>           | DCN No. <b>JCP-DCN-0106</b> |
|   | <b>JAFURAH<br/>COGENERATION PLANT</b> | GRADE: A                    |




REQUESTER :

CIVIL    ARCHI.    MECH.    ELEC.    I&C    PIPING    Others (   )

| REFERENCE DOCUMENT / DCN NO.(*) | REV | REMARKS / TITLE                                    |
|---------------------------------|-----|--|
| JCP-YT01-00SGA-130003           | 1   | HYDRANT, WATER MONITOR & VALVES MATERIAL SUBMITTAL |
| JCP-DCN-0106                    |     | Previous latest DCN No.                            |

REASONS FOR CHANGE:

HYDRANT Valve from “American Fire Control” is added to this submittal as the approved brand from “Viking” are facing problems in supplying within the targeted schedule. The selected new brand “American Fire Control” is UL-listed / FM-approved as well and is suitable for this application.

| EXISTING CONDITION:  | DESCRIPTION OF CHANGE   |
|--|---|
| <p>Control Valves &amp; Devices   Hydrants &amp; Rise Equipment   Fire Hydrant   HYW Wet Barrel Fire Hydrant</p>  <p style="text-align: right;">Page 6 of 41</p> | <p style="text-align: center;"><b>DATA SHEET</b></p> <p style="text-align: center;"><b>FW-9000 Wet Barrel Fire Hydrant</b></p>  <p>American AFC FW-9000 Wet Barrel Hydrants provide a connection point for firefighters to tap into a water supply. Wet Barrel Hydrants are used in climates where freezing is not an issue. The simple construction involves the mechanical parts of a wet barrel hydrant being above ground, with a main valve to prevent any debris from entering the hydrant. There is water in the barrel and hydrant at all times.</p> <p><b>SPECIFICATIONS</b></p> <ul style="list-style-type: none"> <li>• Design and materials comply with AWWA C503</li> <li>• Flanges conform to ASTM B16.5 class 150 (6")</li> <li>• Fusion bonded epoxy coated inside and outside per AWWA C550</li> <li>• 250 PSI working pressure factory tested 100% to 500 PSI</li> <li>• Working temperature: 0°C to 80°C (32°F to 176°F)</li> <li>• (1) 4.5" pumper nozzle and (2) 2.5" hose nozzle</li> <li>• Designed to prevent damage to main valve if hit accidentally</li> <li>• UL listed and FM approved</li> </ul>  <p style="text-align: right;">Page 6 of 41</p> |

**OWNER'S COMMENTS**  
 Status-1 : Approved

Comment specified by Owner after review  
 1. Noted

|             |  |          |
|-------------|--|----------|
| PREPARED BY |  | 25.09.24 |
| CHECKED BY  |  | 25.09.24 |
| APPROVED BY |  | 25.09.24 |

|                       |               |               |
|-----------------------|---------------|---------------|
| <b>OWNER'S REVIEW</b> | <b>NAME :</b> | <b>DATE :</b> |
|-----------------------|---------------|---------------|

| DOCUMENT INCORPORATION (DOCUMENT(S) TO BE REVISED TO INCORPORATE DCN) |         |  |
|---|---------|--|
| DOCUMENT NO.  | REV NO. | REMARKS/TITLE                                      |
| JCP-YT01-00SGA-130003   | 1INT1   | HYDRANT, WATER MONITOR & VALVES MATERIAL SUBMITTAL |

GRADE :    A: Urgent major change                      B: Major change, not urgent                      C: Minor Change



شركة أزيدك  
لأجهزة السلامة

# *Authorization Letter.*

الإدارة: جدة - حي الصفا - شارع الأمير ماجد - الصفا بلازا - مبنى A الدور الثالث مكتب 340 - س.ت: 403026741 - هاتف -6342166- 0126880407 -

فاكس تحويلة: 111-: 0581444606

المعرض 1: جدة - شارع البلدية - مركز الفانوس | المعرض 2: مكة - شارع الحج

الفروع: الرياض - ينبع - المدينة - الطائف - خميس مشيط - الدمام

www.Azeidk.com info@azeidk.com



**Date:** October 28,2024

**Ref.:** 01027/24

**Subject: Distribution in Saudi Arabia**

To whom it may concern

This is to confirm that Azeidk Group is our authorized distributor in Saudi Arabia for American Fire Control's range of fire protection products.

Azeidk Group will be responsible for the distribution and support of our products throughout the Kingdom.

We trust that this information provides the reassurance you require. Should you need any further details or wish to discuss this matter further, please do not hesitate to contact us.

Yours sincerely,

**Mark Smith**  
Sales & Marketing Director





شركة أزيدك  
لأجهزة السلامة

# Azeidk Co. Documents.

الإدارة: جدة - حي الصفا - شارع الأمير ماجد - الصفا بلازا - مبنى A الدور الثالث مكتب 340 - س.ت: 403026741 - هاتف -6342166- 0126880407 -

فاكس تحويلة: 111-: 0581444606

المعرض 1: جدة - شارع البلدية - مركز الفانوس | المعرض 2: مكة - شارع الحج

الفروع: الرياض - ينبع - المدينة - الطائف - خميس مشيط - الدمام

www.Azeidk.com info@azeidk.com



## وثيقة التأهيل

ق ش م م إ ر ل تة إ

| ق ش م م إ ر ل تة إ | ق ش م م إ ر ل تة إ | ق ش م م إ ر ل تة إ | ق ش م م إ ر ل تة إ |
|--------------------|--------------------|--------------------|--------------------|
| ق ش م م إ ر ل تة إ | ق ش م م إ ر ل تة إ | ق ش م م إ ر ل تة إ | ق ش م م إ ر ل تة إ |
| ق ش م م إ ر ل تة إ | ق ش م م إ ر ل تة إ | ق ش م م إ ر ل تة إ | ق ش م م إ ر ل تة إ |
| ق ش م م إ ر ل تة إ | ق ش م م إ ر ل تة إ | ق ش م م إ ر ل تة إ | ق ش م م إ ر ل تة إ |
| ق ش م م إ ر ل تة إ | ق ش م م إ ر ل تة إ | ق ش م م إ ر ل تة إ | ق ش م م إ ر ل تة إ |

ق ش م م إ ر ل تة إ

ق ش م م إ ر ل تة إ

ق ش م م إ ر ل تة إ

ق ش م م إ ر ل تة إ

ق ش م م إ ر ل تة إ

ق ش م م إ ر ل تة إ

ق ش م م إ ر ل تة إ

ق ش م م إ ر ل تة إ

ق ش م م إ ر ل تة إ

ق ش م م إ ر ل تة إ

ق ش م م إ ر ل تة إ

ق ش م م إ ر ل تة إ

ق ش م م إ ر ل تة إ

ق ش م م إ ر ل تة إ

ق ش م م إ ر ل تة إ































## رخصة مزاولة نشاط

رقم الإزعة رتبة إ

|                   |  |  |                   |                   |                   |                   |                   |
|-------------------|--|--|-------------------|-------------------|-------------------|-------------------|-------------------|
| رقم الإزعة رتبة إ |  |  | رقم الإزعة رتبة إ | رقم الإزعة رتبة إ | رقم الإزعة رتبة إ | رقم الإزعة رتبة إ | رقم الإزعة رتبة إ |
| رقم الإزعة رتبة إ |  |  | رقم الإزعة رتبة إ | رقم الإزعة رتبة إ | رقم الإزعة رتبة إ | رقم الإزعة رتبة إ | رقم الإزعة رتبة إ |
| رقم الإزعة رتبة إ |  |  | رقم الإزعة رتبة إ | رقم الإزعة رتبة إ | رقم الإزعة رتبة إ | رقم الإزعة رتبة إ | رقم الإزعة رتبة إ |
| رقم الإزعة رتبة إ |  |  | رقم الإزعة رتبة إ | رقم الإزعة رتبة إ | رقم الإزعة رتبة إ | رقم الإزعة رتبة إ | رقم الإزعة رتبة إ |
| رقم الإزعة رتبة إ |  |  | رقم الإزعة رتبة إ | رقم الإزعة رتبة إ | رقم الإزعة رتبة إ | رقم الإزعة رتبة إ | رقم الإزعة رتبة إ |
| رقم الإزعة رتبة إ |  |  | رقم الإزعة رتبة إ | رقم الإزعة رتبة إ | رقم الإزعة رتبة إ | رقم الإزعة رتبة إ | رقم الإزعة رتبة إ |

رقم الإزعة رتبة إ

الهيئة العليا للأمن الصناعي  
High Commission For Industrial Security

















اعتماد\*



# شهادة اعتماد

## تصنيف مقدمي خدمات المدن

تمنح وزارة الشؤون البلدية والقروية والإسكان شهادة الاعتماد\*

مؤسسة از يدك للمقاولات العامه

للمنشأة

في قطاع التشييد والبناء



4030244617

السجل التجاري

الإنشاءات العامة للمباني السكنية، الإنشاءات العامة للمباني الغير السكنية ، يشمل (المدارس ، المستشفيات، الفنادق ...الخ) الإنشاءات العامة للمباني الحكومية، ترميمات المباني السكنية والغير سكنية

النشاط

- يسري مفعول هذه الشهادة حتى تاريخ 04/10/1444 هـ / الموافق 25/04/2023 م
- تصدر هذه الشهادة إلكترونياً وعلى الجهات المالكة للمشاريع التحقق من الشهادة المقدمة من خلال موقع الوزارة



4h

وكيل الوزارة لتصنيف المقاولين  
د. أحمد بن جميل فطان

تصنيف  
مقدمي خدمات المدن



\* هذه الشهادة منحت بغرض اصدار وثيقة التأمين ضد العيوب الخفية و الدخول في المنافسات الحكومية الأقل من قيمة مشاريع الدرجة الخامسة.





# شهادة

## تصنيف مقدمي خدمات المدن

تمنح وزارة الشؤون البلدية والقروية والإسكان شهادة تصنيف بالدرجة

للمنشأة شركة ازيدك للمقاولات العامه

| رقم الوطني الموحد/ الترخيص | تاريخ إصدار السجل التجاري/ الترخيص   | اسم مالك المنشأة         | نوع المنشأة        | جنسية المنشأة        | رأس المال | بيانات المنشأة |
|----------------------------|--|--------------------------|--------------------|----------------------|-----------|----------------|
| 7014126267                 | 15/04/2013   | غازي جابر درويش القحطاني | ذات مسؤولية محدودة | سعودي                | 100000.0  |                |
| رقم الشهادة                | تاريخ الإصدار  | درجة التقييم الائتماني   | درجة التقييم الفني | بيانات شهادة التصنيف |           |                |
| 2024005747                 | 29/05/2024   | BBB+                     | 88.55              |                      |           |                |
| المجال                     | الأنشطة  | أنشطة شهادة التصنيف      |                    |                      |           |                |
| التشييد والبناء            | الإنشاءات العامة للمباني السكنية، الإنشاءات العامة للمباني الغير السكنية، يشمل (المدارس، المستشفيات، الفنادق... الخ) الإنشاءات العامة للمباني الحكومية، ترميمات المباني السكنية والغير سكنية |                          |                    |                      |           |                |

وكيل الوزارة لتنظيم مشغلي المدن

عبدالرحمن بن أحمد الغرني

- يسري مفعول هذه الشهادة حتى تاريخ 29/05/2026  
- تصدر هذه الشهادة إلكترونياً وعلى الجهات المالكة للمشاريع التحقق من الشهادة المقدمة من خلال موقع الوزارة.

