



# فالكون باور العالمية

لأجهزة السلامة



متوفر لدينا صناديق الحريق  
توريد بأسعار وجودة  
لا تقبل المنافسة

خدماتنا غير

Our Services is different

جودتنا غير

Our Quality is different

هاتف: 0547777503

# - MATERIAL SUBMITTAL FOR FIRE HOSE CABINET

- PRODUCT (FG-1001S - FGR-1001S)
- TECHNICAL DATA SHEETS (CATALOGUES).
- LPCB APPROVALS.
- PREVIOUS APPROVALS.



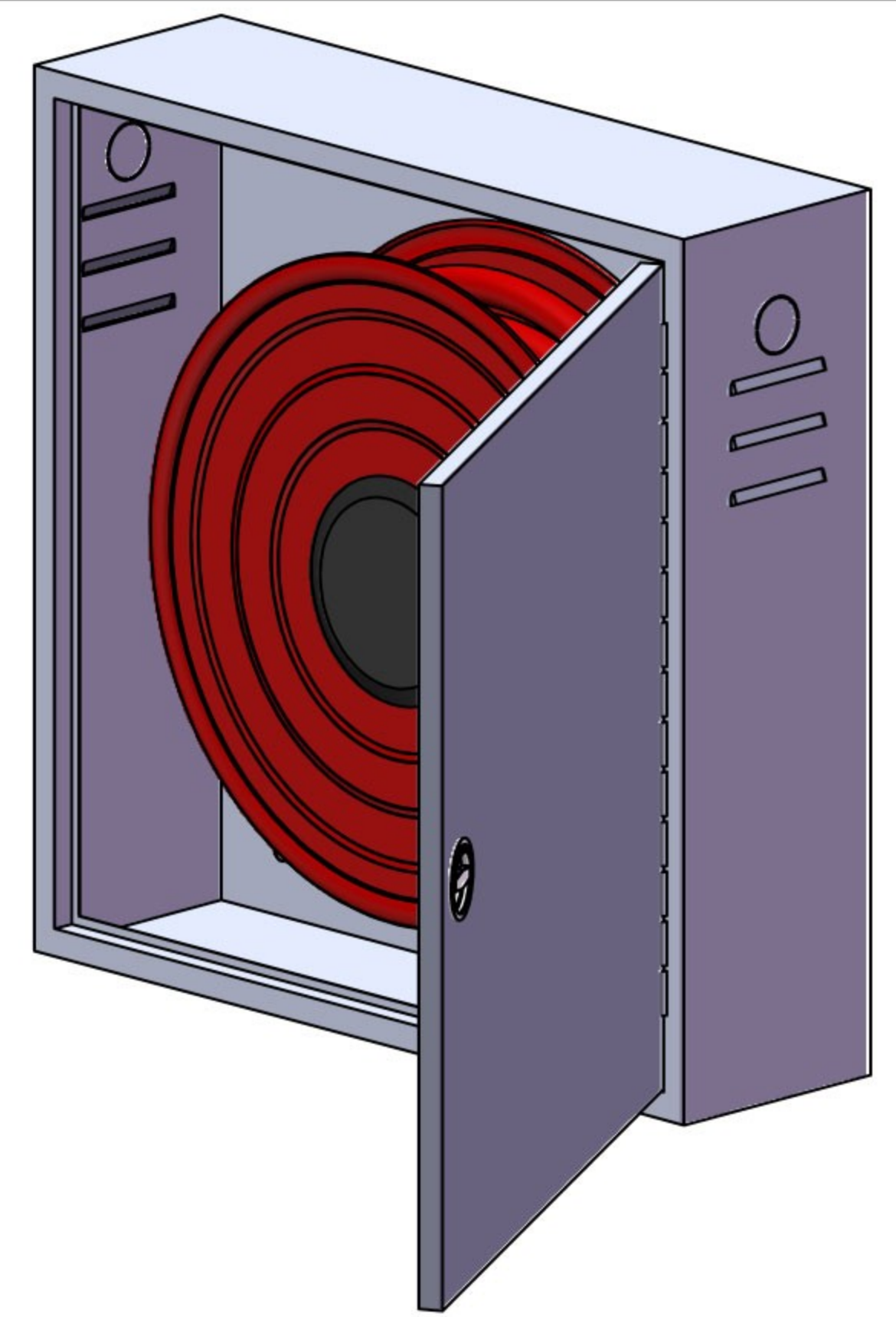
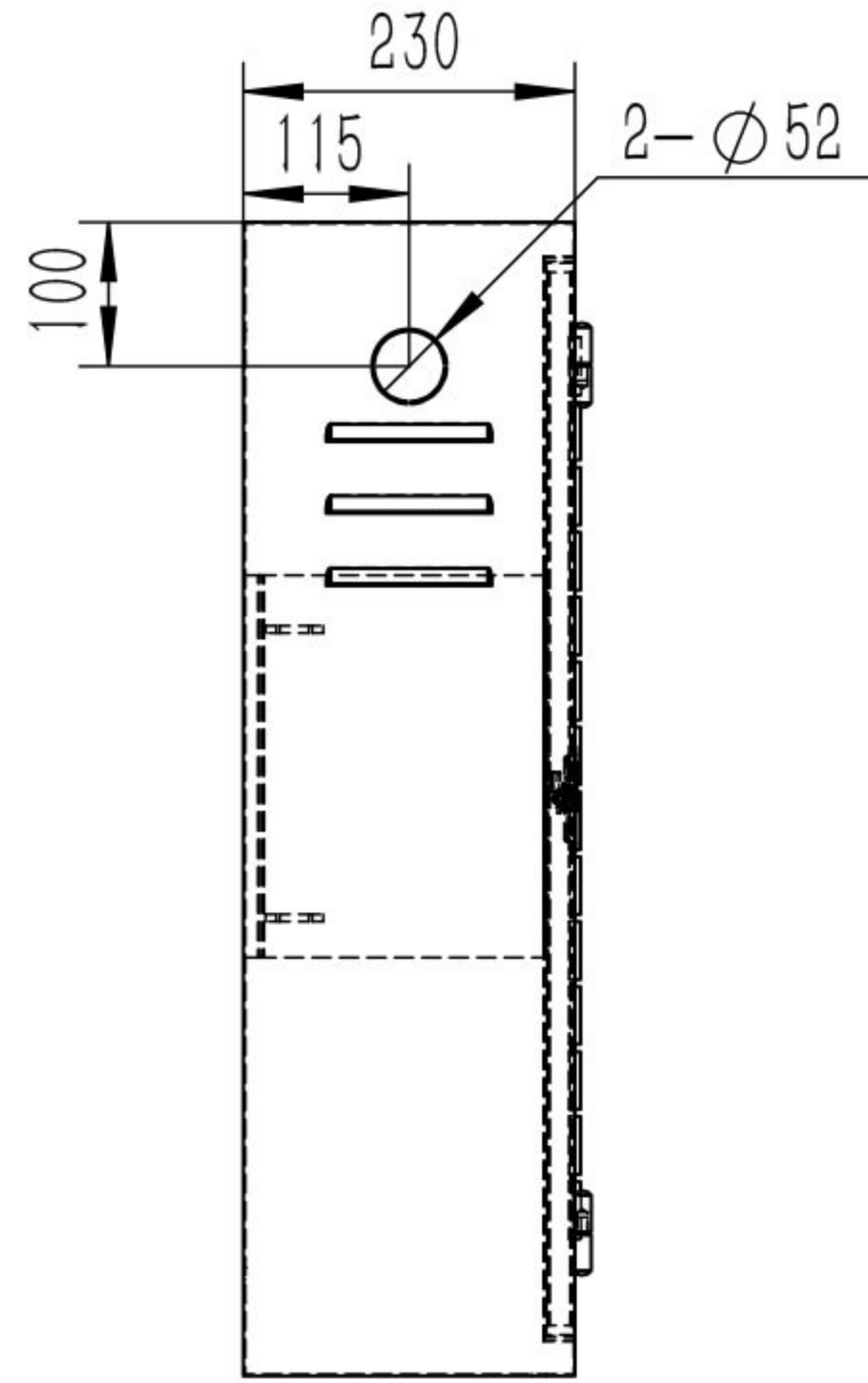
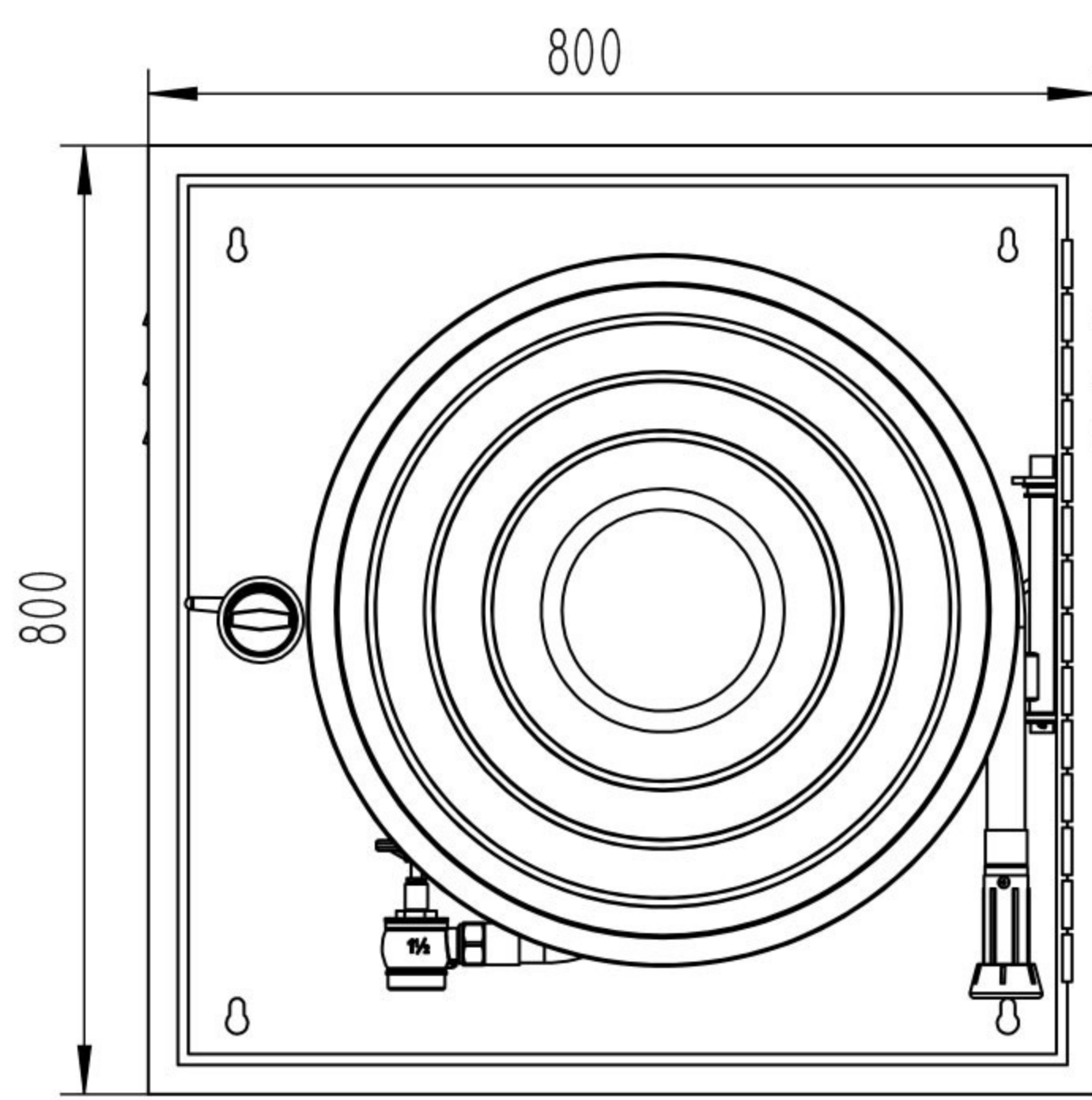
# -FG-1001S

- SINGLE DOOR,
- SURFACE MOUNTED,
- STAINLESS STEEL
- FIRE HOSE REEL CABINET



# -FGR-1001S

- SINGLE DOOR,
- RECESSED
- STAINLESS
- FIRE HOSE REEL CABINET



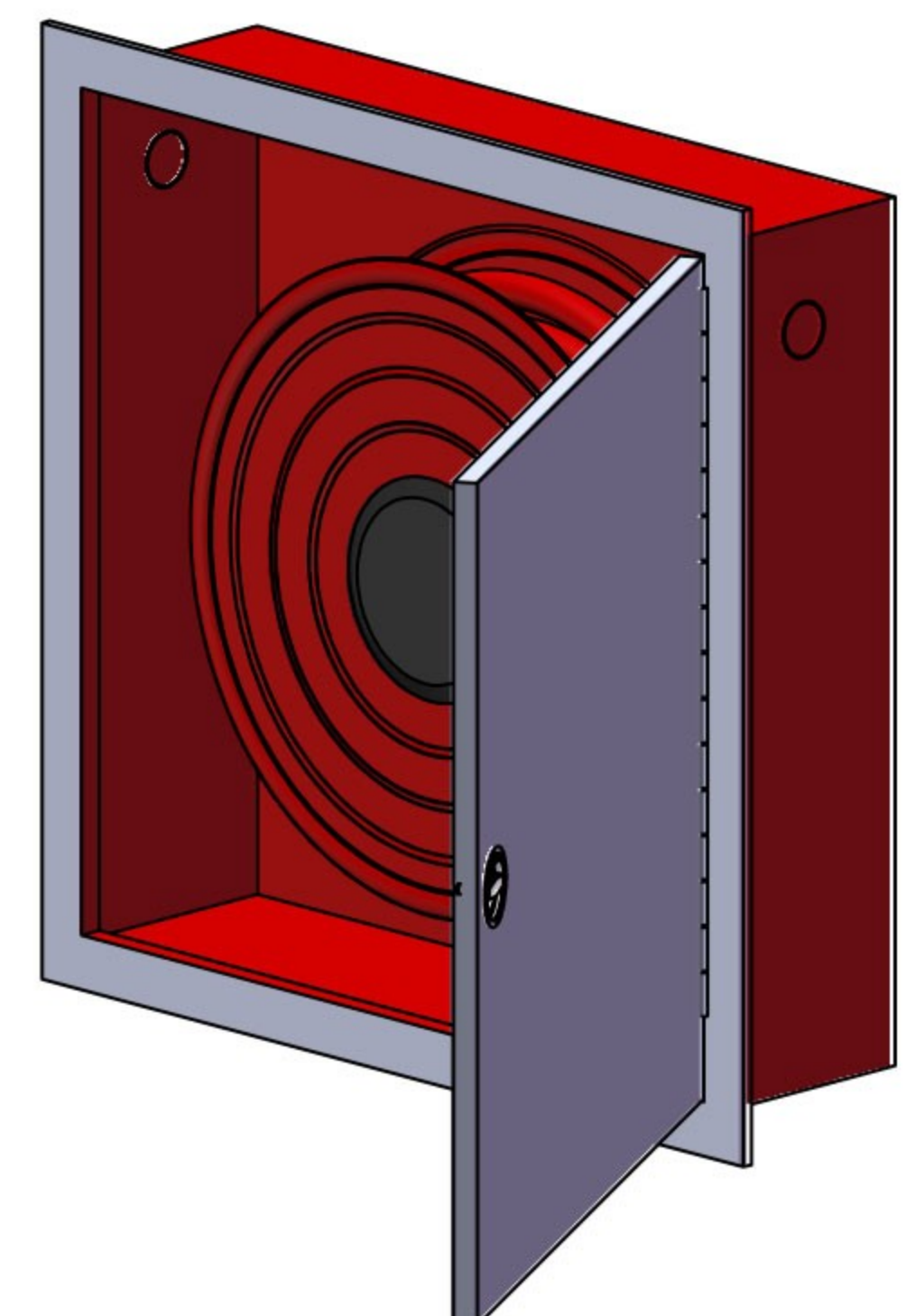
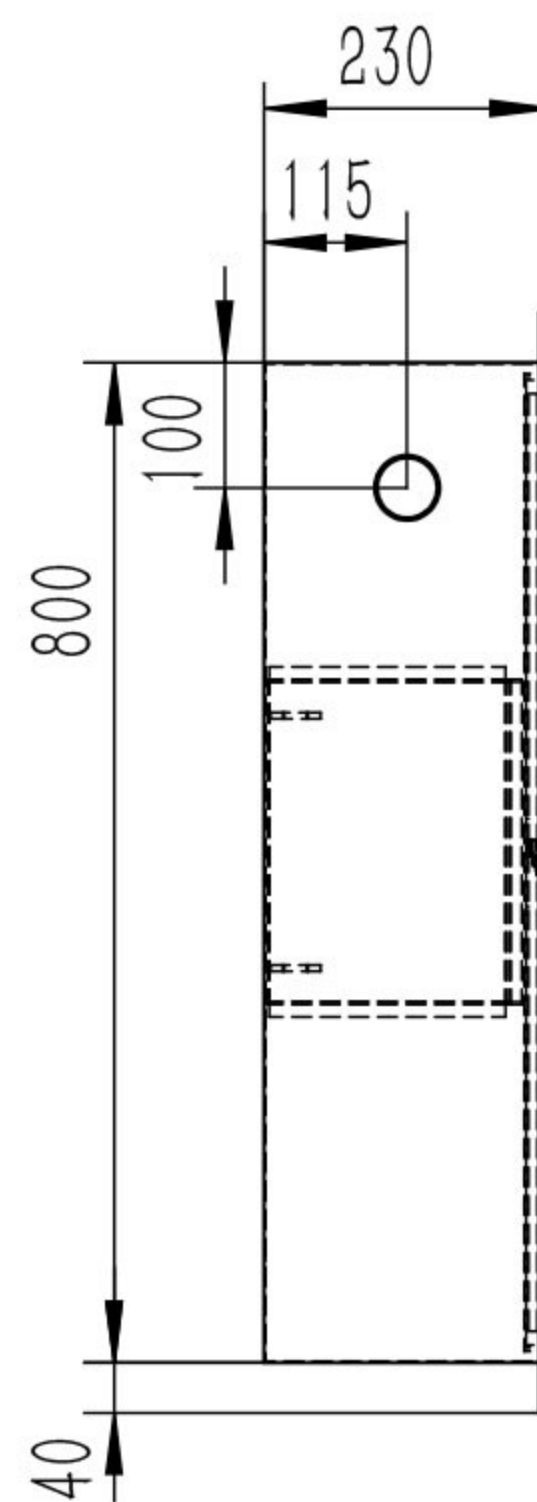
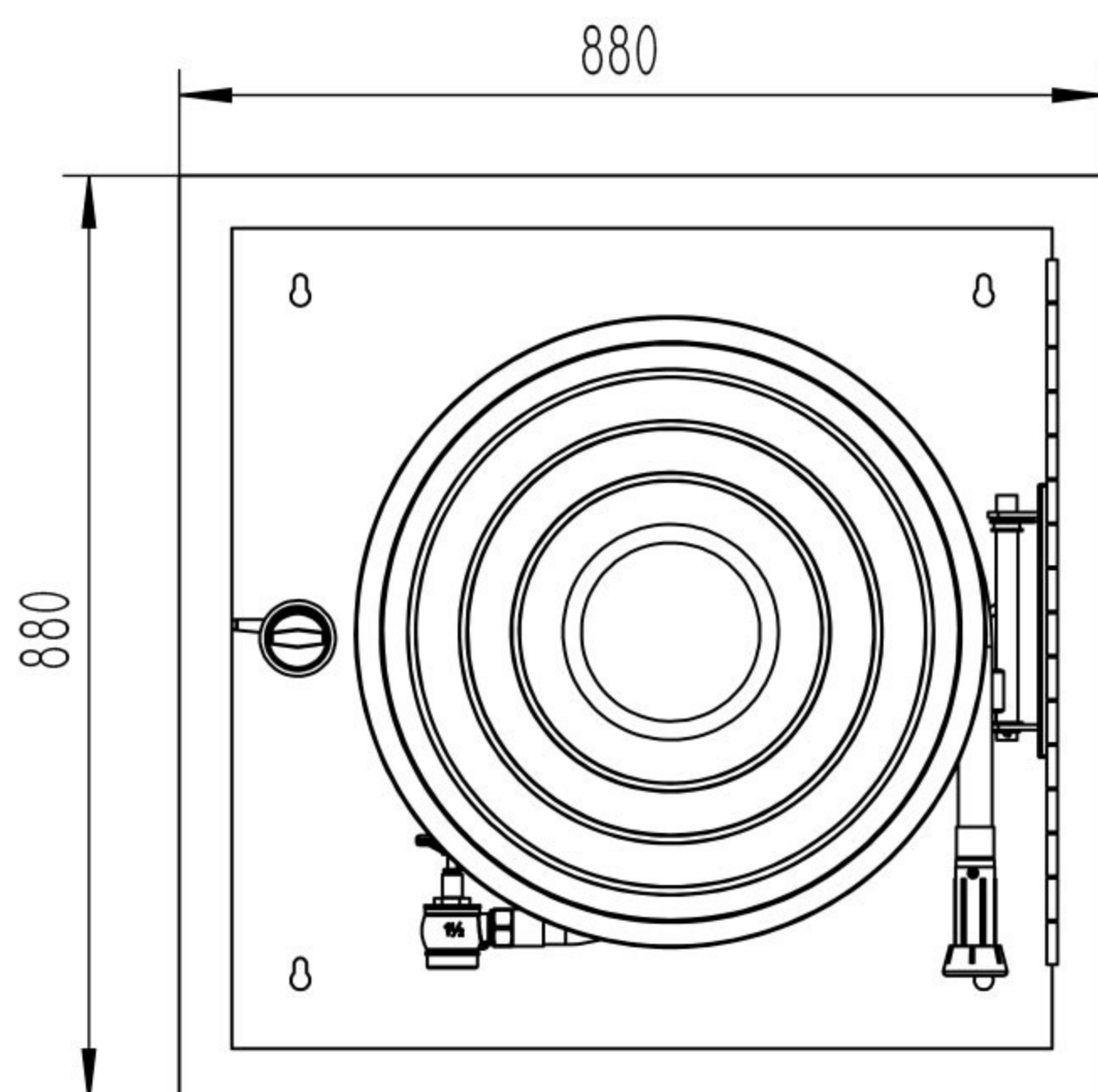
Technical requirements:

1. Cabinets made of 1.2mm SUS304
2. Cabinet must be pickled and descale before painting.
3. Cabinet with four installation holes on the back board and two holes at the bottom—  $\phi$  10 drainage holes at bottom
4. Cabinet supplied with round S.S round lock and S.S piano hinge



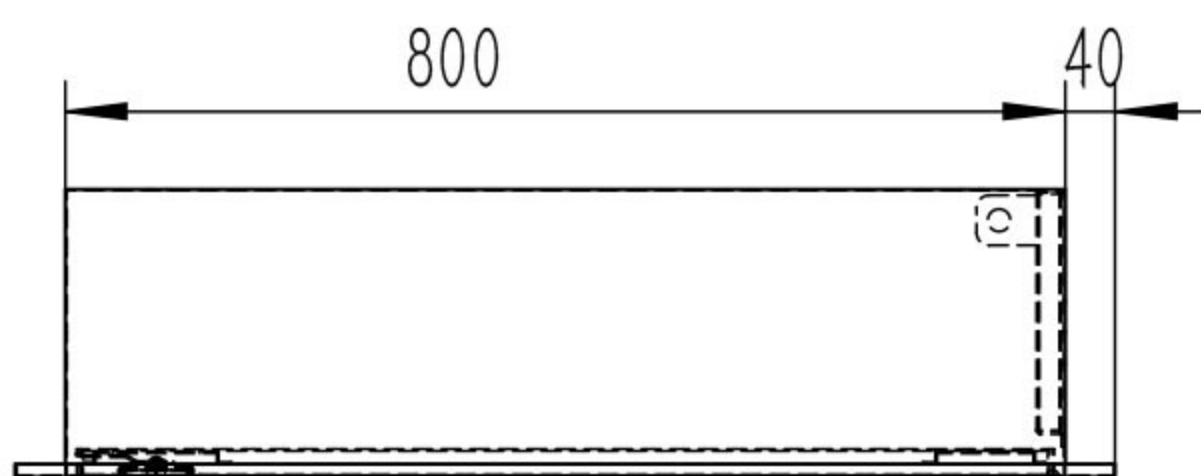
**-FG-1001S**

△						Name	Surface Mounted Fire Cabinet		Approve		
△						Material	SUS304 1.2MM	Surface Colour		Design	
△						Drawing No.		Unit	mm	Draw	
△								Proportion	1:10		
△						<b>Falcon Gold</b>				Revision	A
	NO.	Original Size	Modified	Revisor	Auditor	Date					



Technical requirements:

1. Cabinets body made of 1.2mm mild steel and RAL3000 powder coated.
2. Cabinet architrave and door 304 stainless steel 1.2mm, brush finish.
3. Cabinet must be pickled and descale before painting.
4. Cabinet with two installation holes on the back board
5. Cabinet supplied with round S.S round lock and S.S piano hinge .

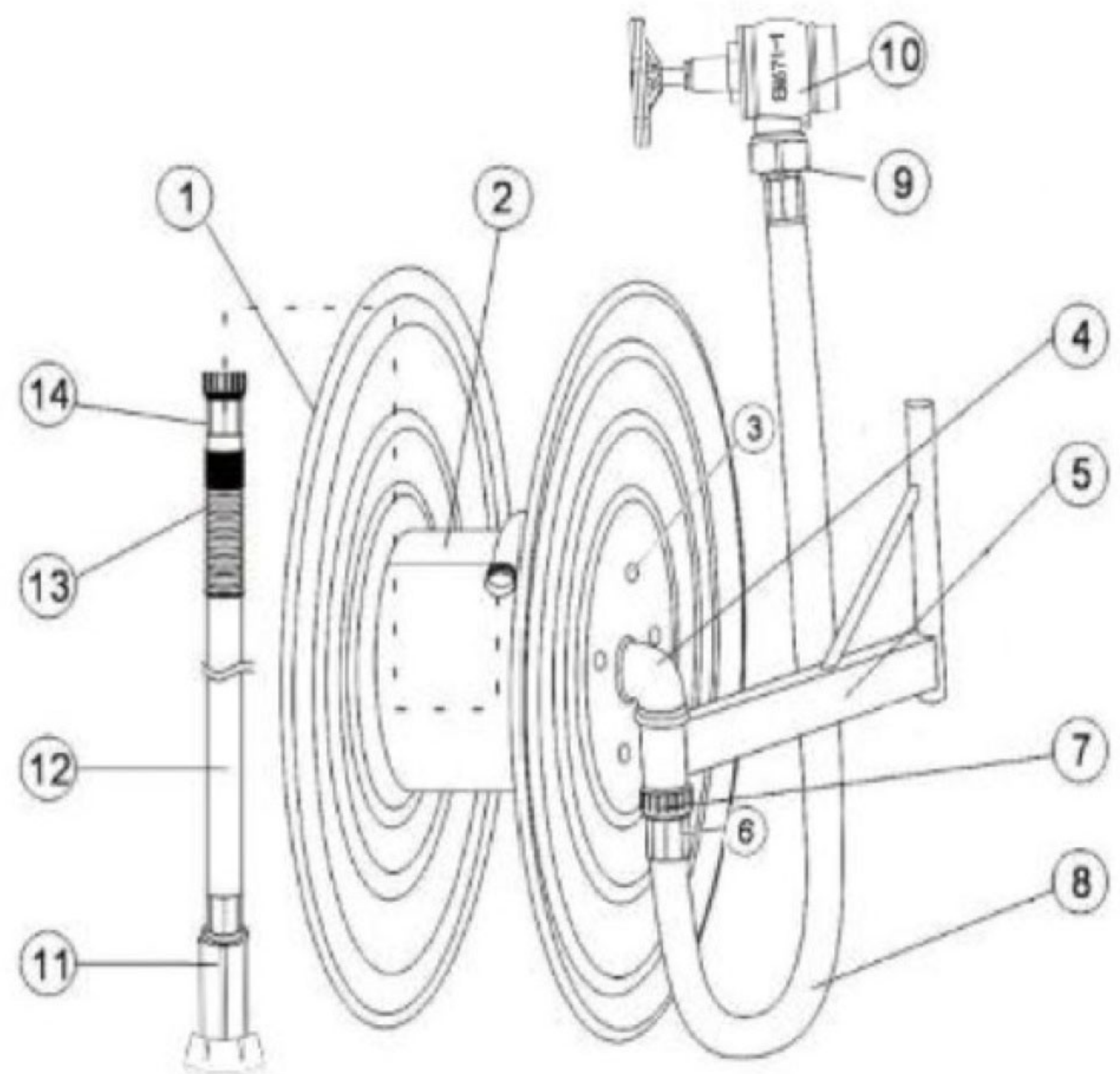
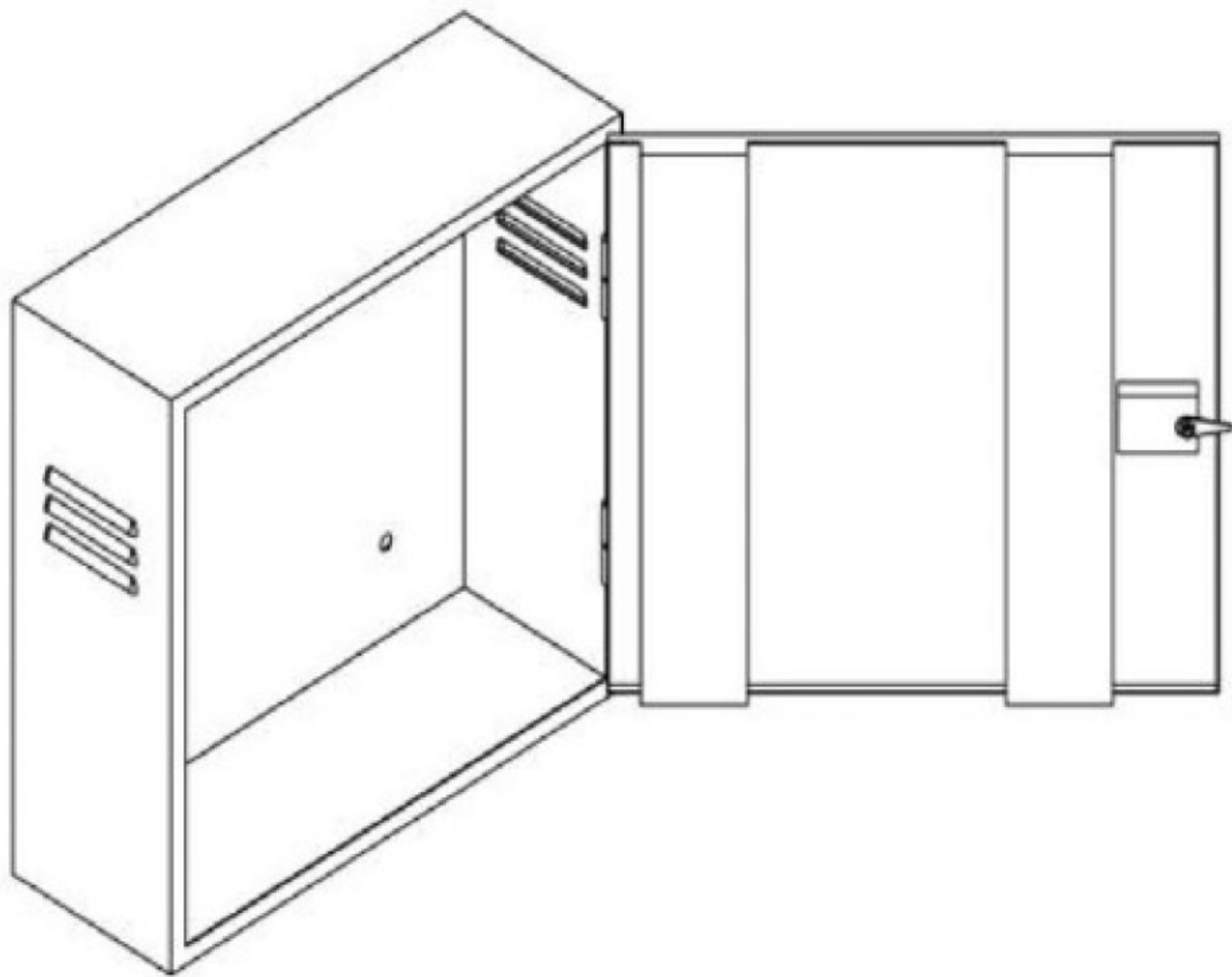


**-FGR-1001S**

△						Name	Recessed Mounted Fire Cabinet		Approve		
△						Material	SUS304 1.2MM+ SPCC1.2MM	Surface Colour	RAL3000	Design	
△						Drawing No.		Unit	mm	Draw	
△								Proportion	1:10		
△						<b>Falcon Gold</b>				Revision	A
	NO.	Original Size	Modified	Revisor	Auditor	Date					

# - FIRE CABINET WITH FALCON GOLD HOSE REEL

- SURFACE MOUNTED CABINET MANUFACTURED FROM-FULLY STAINLESS 304 THICKNESS 1.2MM.
- CABINET DIMENSION W 800MM X H 800MM X D 230 MM
- RECESSED CABINET ONLY DOOR STAINLESS STEEL OTHER POWDER COATED AND OVEN BAKED FOR APPEARANCE AND PROTECTION FROM RUST.
- SURFACE MOUNTED & RECESSED TYPE, RIGHT HAND OPENED, WITH STAINLESS STEEL PIANO HINGE FOR ENOUGH STRENGTH
- CABINET SUPPLIED WITH S.S ROUND LOCK FOR EASY AND FAST OPERATION.
- FULLY APPROVED TO LPCB EN671-1 STANDARD;
- HOSE REEL DRUMS PRESSED ON HYDRAULIC PRESS TO FORM RIBS FOR STRENGTH AND DURABILITY.
- HOSE REEL DISK EDGES ROLLED OVER FOR SAFE HANDLING AND AESTHETIC APPEARANCE.



# - SWINGING MANUAL HOSE REEL ASSY

## ● PARTS NAME

- ① HOSE REEL DISC ② HUB ③ LONG SCREW ROD ④ MANUAL WATERWAY ⑤ SWINGING ARM
- ⑥ CRIMPING SLEEVE ⑦ INLET JOINT ⑧ INLET HOSE ⑨ CONNECTOR ⑩ ANGLE VALVE 1.5"-1" A-4 MODEL
- ⑪ NOZZLE N-04-2 ⑫ FIRE HOSE 25\*30MTR ⑬ PROTECTIVE SPRING ⑭ OUTLET JOINT

## ● FEATURES

- FULL BRASS WATERWAY WHICH WILL NEVER ROT. WE USE NIPPLES NOT HOSE CLAMPS, TO FILL IN THE INTERFACE BETWEEN HOSE AND WATERWAY. ONCE BEING SCREWED TIGHTLY, NO LEAKAGE.
- HOSE REEL WITH POWDER COATED AND ANTI-ULTRAVIOLET SIDE DISCS. THERE CAN BE PRESSURE GAUGE AT THE REEL AXIS.
- HIGH PRESSURE RESISTANCE; WORKING AT 30 KG PRESSURE BUT NOT AFFECTED.
- ENDURANCE TEST ON REEL ROTATION; AFTER OVER 3000 ROTATION, HOSE REELS SHOW NO VISIBLE LEAKAGE; OUR SWINGING HOSE REELS SHALL BE ABLE TO SWING 1000 TIMES TO MINIMUM 170° AND ALSO SHOW NO VISIBLE LEAKAGE OR DAMAGE.
- HIGH PRESSURE SPRAY. THE NOZZLE CAN BE ADJUSTED TO JET/SPRAY;
- OUR HOSE REELS CAN BE ALSO USED FOR CLEANING WHEN USED FOR FIRE FIGHTING.
- FIRE HOSE WITH ANTI-AGING AND ANTI-ULTRAVIOLET FUNCTION. MAXIMUM WP. IS 12BAR. AVERAGE BP. CAN BE UP TO 45BAR.

## ● PRODUCT SPECIFICATION & INSTALLATION MEASUREMENT

MODEL	HOSE SPECIFICATION (MM)	DIAMETER (MM)	BRACKET LENGTH (MM)	REEL WIDTH (MM)	HOSE PRESSURE (BAR)
FG-1001S	25MM×30MTR	600	290	150	12 BAR
FGR-1001S	25MM×30MTR	600	290	150	12 BAR

## ● USAGE

- 1 OPEN THE VALVE
- 2 PULL HOSE TOWARDS FIRE
- 3 OPEN NOZZLE TO SPRAY/JET AND AIM AT BASE OF FIRE.
- 4 AFTER USE, CLOSE THE VALVE
- 5 DRAIN WATER FROM HOSE
- 6 REWIND THE HOSE AND CLOSE NOZZLE ⑪.

## Certificate of Product Approval

Certificate Number: 1038Bla

Issue: 01

### Falcon Gold General Trading L.L.C

First Floor Office #128  
Al Wasl Building  
Shiekh Zayed Road  
Al Wasl  
Dubai  
United Arab Emirates

is certified by BRE Global Ltd. and is authorised to use the LPCB mark in association with the product(s) listed in this certificate and appendix having complied with the requirement(s) of the standards as detailed below:

#### Products

**'Falcon Gold' Fire Hose Reels**  
(Refer to attached appendix for details)

#### Standards

**EN 671-1:2012**  
Fixed firefighting systems. Hose systems. Hose reels with semi-rigid hose

This certificate and appendix is maintained and held in force through regular surveillance activities

Signed for BRE Global Ltd.

Joe Milton  
Verifier

8 April 2024  
Date of Issue

8 April 2024  
Date of First Issue



This certificate and appendix remains the property of BRE Global Ltd. and is issued subject to terms and conditions (for details visit [www.redbooklive.com/terms](http://www.redbooklive.com/terms)).

To check the validity of this certificate and appendix please visit [www.redbooklive.com/check](http://www.redbooklive.com/check), scan the QR tag or contact us.

BRE Global Ltd, Watford, WD25 9XX  
T: +44 (0)333 321 8811 E: [enquiries@breglobal.com](mailto:enquiries@breglobal.com)

LPCB is a Registered Trademark of the Building Research Establishment Ltd.



## Appendix to Certificate No: 1038BIa Falcon Gold General Trading L.L.C

Issue: 01

### 'Falcon Gold' Fire Hose Reels to EN 671-1:2012

Product Name	Description	Hose Nominal Bore (mm)	Hose Maximum Length (m)	Nozzle type	LPCB Ref. No.
FG-651HR	Manual, swinging arm, cabinet or wall mounted	25	30	Lever operated jet only or rotary operated jet/spray	1038BIa/02

### Notes for 'Falcon Gold' Fire Hose Reels to EN 671-1:2012:

The 'Falcon Gold' fire hose reel above is approved for use in conjunction with the following cabinets:

Product Name	Description
FG-1001R	Single door, surface mounted, mild steel, fire hose reel cabinet
FG-1001S	Single door, surface mounted, stainless steel, fire hose reel cabinet
FGR-1001R	Single door, recess mounted, mild steel, fire hose reel cabinet
FGR-1001S	Single door, recess mounted, stainless steel, fire hose reel cabinet
FG-2001R	Double door horizontal, surface mounted, mild steel, fire hose reel cabinet
FG-2001S	Double door horizontal, surface mounted, stainless steel, fire hose reel cabinet
FGR-2001R	Double door horizontal, recess mounted, mild steel, fire hose reel cabinet
FGR-2001S	Double door horizontal, recess mounted, stainless steel, fire hose reel cabinet
FGV-3001R	Double door vertical, surface mounted, mild steel, fire hose reel cabinet
FGV-3001S	Double door vertical, surface mounted, stainless steel, fire hose reel cabinet
FGRV-3001R	Double door vertical, recess mounted, mild steel, fire hose reel cabinet
FGRV-3001S	Double door vertical, recess mounted, stainless steel, fire hose reel cabinet

This certificate and appendix is maintained and held in force through regular surveillance activities

*J. Mit.*

Signed for BRE Global Ltd.

Joe Milton  
Verifier

8 April 2024  
Date of Issue

8 April 2024  
Date of First Issue



This certificate and appendix remains the property of BRE Global Ltd. and is issued subject to terms and conditions (for details visit [www.redbooklive.com/terms](http://www.redbooklive.com/terms)).

To check the validity of this certificate and appendix please visit [www.redbooklive.com/check](http://www.redbooklive.com/check), scan the QR tag or contact us.

BRE Global Ltd, Watford, WD25 9XX  
T: +44 (0)333 321 8811 E: [enquiries@breglobal.com](mailto:enquiries@breglobal.com)

LPCB is a Registered Trademark of the Building Research Establishment Ltd.



**bre**





# FALCON POWER

## FOR SAFETY EQUIPMENT



توريد بأسعار وجودة  
لا تقبل المنافسة

هاتف: 0547777503

فالكون باور السعوديه - ٦١١٢ شارع فلسطين  
جده ٢٣٣٤١ - المملكة العربية السعوديه

E-Mail: [Info@falconpower.sa](mailto:Info@falconpower.sa)  
Web: [www.falconpower.sa](http://www.falconpower.sa)

Falcon Power Saudi Arabia 6112 palestine Street  
Jeddah 23341 - Kingdom of Saudi Arabia