

# K-801-R

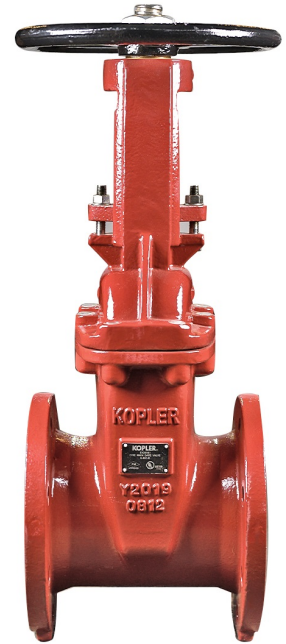
# Resilient Wedge Gate Valve

OS&Y: 2" - 12" / DN50 - DN300



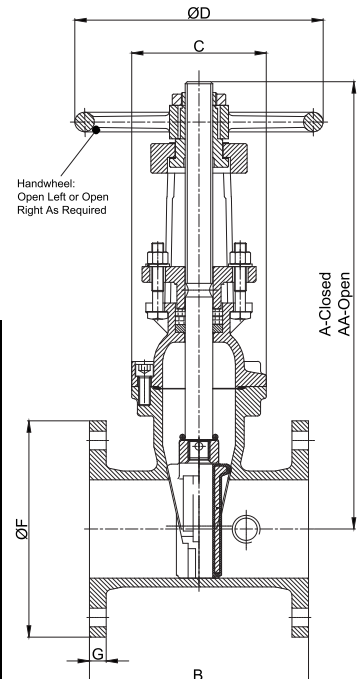
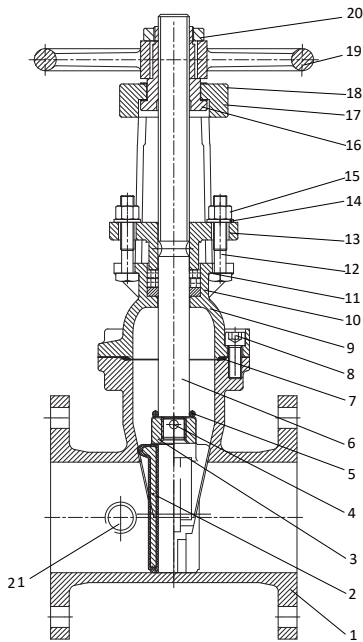
## PRODUCT FEATURES

- Outside Screw & Yoke (OS&Y) Gate Valve.
- Iron Body, Bonnet, and Yoke.
- Maximum Working Pressure 300Psi/20.7 Bar.
- Meets requirements of AWWA / ANSI C515 and is certified to ANSI / NSF 61 & 372.
- Iron wedge, fully encapsulated with rubber.
- Full waterway, Bi-directional flow.
- Fusion bonded coating interior and exterior meet or exceed all applicable of AWWA C550 standard.
- Flange End drilling meets: ANSI B16.1, Class 125 and ANSI B16.42, Class 150. Optional PN10, PN16 drilling.
- UL Listed and FM Approved



## MATERIAL SPECIFICATIONS

ID	PART NAME	MATERIAL
1	Body	Ductile Iron, ASTM A536 Grade 65-45-12
2	Wedge	Ductile Iron with EPDM Encapsulated
3	Wedge Nut	Stainless Steel A351 Gr. CF8
4	Pin	Stainless Steel A276 Type 304
5	O-Ring	Rubber D2000 NBR
6	Stem	Stainless Steel A276 Type 304
7	Gasket	Rubber D2000 EPDM
8	Bonnet Screw	Carbon Steel A307 Grade B
9	Bonnet	Ductile Iron, ASTM A536 Grade 65-45-12
10	Packing Gasket	Rubber D2000 NBR
11	Packing	Graphite
12	Gland Bolt	Stainless Steel A276 Type 304
13	Packing Gland	Ductile Iron, ASTM A536 Grade 65-45-12
14	Washer	Stainless Steel A276 Type 304
15	Nut	Stainless Steel A276 Type 316
16	Stem Nut	Bronze B148 C95200
17	Washer A	Brass B16 C36000
18	Washer B	Brass B16 C36000
19	Handwheel	Ductile Iron, ASTM A536 Grade 65-45-12
20	Blocking Nut	Ductile Iron, ASTM A536 Grade 65-45-12
21	Plug	Malleable Iron A47 Grade 22010



## DIMENSIONS

Size	A-Closed	AA-Open	B	C*	ØD	ØF	G
2"	13.00 (330)	15.0 (380)	7.0 (178)	4.62 (117.3)	7.25 (184)	6.0 (152)	0.63 (15.9)
2½"	15.04 (382)	17.6 (447)	7.5 (190.5)	4.57 (116)	7.25 (184)	7.0 (178)	0.69 (17.5)
3"	16.54 (420)	19.7 (500)	8.0 (203)	4.66 (118.3)	10.0 (254)	7.5 (191)	0.75 (19.1)
4"	18.31 (465)	22.24 (565)	9.0 (229)	5.39 (137)	10.0 (254)	9.0 (229)	0.94 (23.9)
6"	24.02 (610)	29.92 (760)	10.5 (267)	6.38 (162)	12.0 (305)	11.0 (279)	1.00 (25.4)
8"	29.92 (760)	37.80 (960)	11.5 (292)	7.87 (200)	14.0 (356)	13.5 (343)	1.13 (28.6)
10"	35.43 (900)	45.28 (1150)	13.0 (330)	8.27 (210)	17.5 (445)	16.0 (406)	1.19 (30.2)
12"	40.94 (1040)	52.76 (1340)	14.0 (356)	9.57 (243)	17.5 (445)	19.0 (483)	1.25 (31.8)

Dimensions: inch (mm).

\*C dimension is the overall width of the bonnet flange.

## WEIGHT

Valve Size	2"	2½"	3"	4"	6"	8"	10"	12"
Weight lb. (kg)	35 (16)	44 (20)	55 (25)	66 (30)	110 (50)	170 (77)	264 (120)	374 (170)

# HMRZ.EX28141 - Gate Valves

## Gate Valves

[See General Information for Gate Valves](#)

**KOPLER L L C**  
 501 SILVERSIDE RD, STE 105 4029  
 WILMINGTON, DE 19809 USA

EX28141

Pattern	Model	Size, in.	End Configuration	Rated Pressure, psig
NRS	K-811-P	2.5	Flanged, Grooved, Flanged by Grooved	300
NRS	K-811-P	3	Flanged, Grooved, Flanged by Grooved, Mechanical Joint, Flanged by Mechanical Joint	300
NRS	K-811-P	4, 6, 8, 10, 12	Flanged, Grooved, Mechanical Joint, Flange/Mechanical Joint	300
NRS	K-811-P	5	Flanged	300
OS&Y	K-801-R	2, 2-1/2, 3, 4, 5, 6, 8, 10, 12	Flanged, Grooved, Flanged by Grooved	300

Last Updated on 2019-06-24

The appearance of a company's name or product in this database does not in itself assure that products so identified have been manufactured under UL Solutions' Follow - Up Service. Only those products bearing the UL Mark should be considered to be Certified and covered under UL Solutions' Follow - Up Service. Always look for the Mark on the product.

UL Solutions permits the reproduction of the material contained in Product iQ subject to the following conditions: 1. The Guide Information, Assemblies, Constructions, Designs, Systems, and/or Certifications (files) must be presented in their entirety and in a non-misleading manner, without any manipulation of the data (or drawings). 2. The statement "Reprinted from Product iQ with permission from UL Solutions" must appear adjacent to the extracted material. In addition, the reprinted material must include a copyright notice in the following format: "©2022 UL LLC."