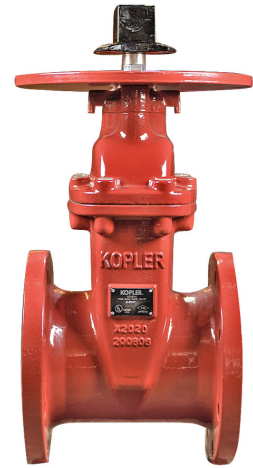


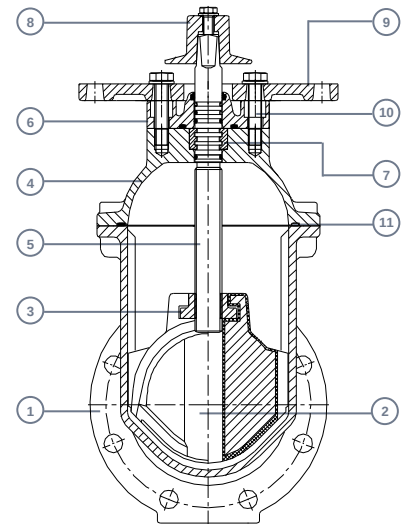
PRODUCT DESCRIPTION

General	Used for isolation purpose in underground pipelines of Fire Sprinkler Systems
Standard	Meets requirements of AWWA/ANSI C515
Size	4" to 12" [DN100 to DN300]
Pressure Rating	300 psi [20.7 Bar]
End Connection	Flange and Drilling comply with ASME B16.1 Class 125
Coating	Fusion Bonded Epoxy Coated comply with AWWA C550
Features	Triple O-rings Stem seal
Approvals	UL Listed and FM Approved



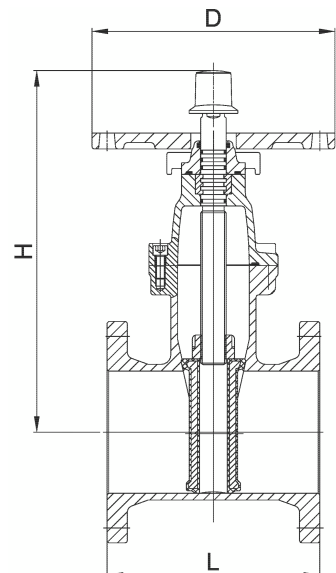
MATERIAL SPECIFICATIONS

No.	Part Name	Material	ASTM Specifications
1	Body	Ductile Iron	A536 Grade 65-45-12
2	Wedge	Ductile Iron with EPDM Fully Encapsulated	
3	Wedge Nut	Bronze	B148 C95200
4	Bonnet	Ductile Iron	A536 Grade 65-45-12
5	Stem	Stainless Steel	A276 Grade 304
6	Gland	Ductile Iron	A536 Grade 65-45-12
7	Thrust Collar	Bronze	B148 C95200
8	Operating Nut	Ductile Iron	A536 Grade 65-45-12
9	Post Flange	Ductile Iron	A536 Grade 65-45-12
10	Fasteners	Carbon Steel	A307 Grade B
11	Body/Bonnet Gasket	EPDM	D2000



DIMENSIONS

Valve Size	H (Open)		L		D	
	in.	mm	in.	mm	in.	mm
4"	14.6	370	9.0	229	12.0	305
6"	18.3	465	10.5	267	12.0	305
8"	21.7	550	11.5	292	12.0	305
10"	25.2	640	13.0	330	12.0	305
12"	28.5	725	14.0	356	12.0	305



WEIGHTS

Valve Size	4"	6"	8"	10"	12"	
Weight	lb.	66	110	165	242	361
	kg	30	50	75	110	164