

MODEL GV RESILIENT SEATED GATE VALVES

MODEL GV OUTSIDE SCREW & YOKE (OS&Y) GATE VALVE

FEATURES AND BENEFITS

- Fire Protection Valve
- Provides Full Flow with Minimal Pressure Drop
- Provides Positive Shutoff
- Comply with AWWA C515
- Epoxy Coated Interior and Exterior to AWWA C550

TECHNICAL DATA

- Water Working Pressure Rating - 300 psi (20.7 bars)*
- Factory Tested Hydrostatically to 600 psi (41.4 bars)
- Flanged Ends to ANSI B16.1 Class 125 or ISO 7005
- *See ANSI B16.1 Class 125 or ISO 7005 ratings where applicable
- Grooved Ends conform to ANSI / AWWA C606 for steel pipe

APPROVALS

- UL Listed
- FM Approved

MATERIAL LIST FOR MODEL
GV-OSY GATE VALVE

PART NAME	MATERIAL	ASTM SPEC.
Body	Ductile Iron	A536 65-45-12
Wedge	Ductile Iron coated with EPDM	
Wedge Nut	Cast Bronze	ASTM B62
Bonnet	Ductile Iron	A536 65-45-12
Packing	Graphite Packing	
Bonnet Bolt	Stainless Steel	AISI 304
Gland Flange	Ductile Iron	A536 65-45-12
Square Head Bolt	Stainless Steel	AISI 304
Stem	Stainless Steel	AISI 304
Yoke Sleeve	Cast Bronze	ASTM B62
Hand Wheel	Cast Iron	ASTM A126-B
Wheel Nut	Ductile Iron	A536 65-42-12
Rubber Gasket	EPDM	Commercial
Hexagon Nut	Stainless Steel	AISI 304



MODEL GV-OSY-FF
FLANGE/FLANGE



MODEL GV-OSY-GG
GROOVE/GROOVE



MODEL GV-OSY-FG
FLANGE/GROOVE

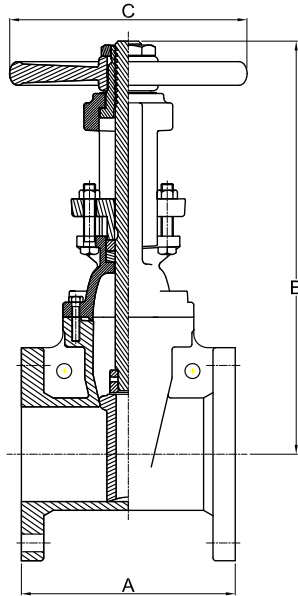
VALVE PART NUMBERS

VALVE SIZE	MODEL GV-OSY-FF	MODEL GV-OSY-GG	MODEL GV-OSY-FG
2 1/2" (PN16)	312505	312525*	312545*
3" (PN16)	312506	312526	312546
4" (PN16)	312507	312527	312547
6" (PN16)	312508	312528*	312548*
8" (PN10 or PN16)	312509	312529	312549
10" (PN10 or PN16)	312510	312530	312550
12" (PN10 or PN16)	312511	312531	312551

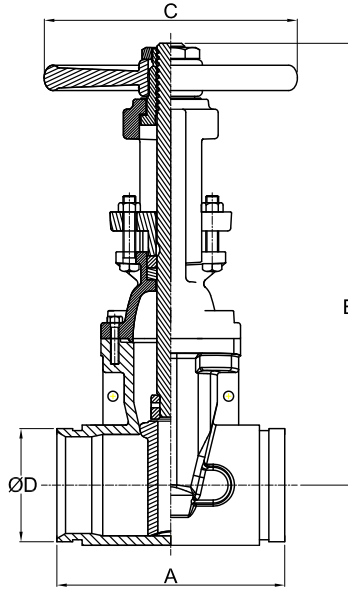
Add -PN10 or -PN16 to Part Number when required

*Add -D when DIN 65mm or DIN 150mm is required for Grooved Valves

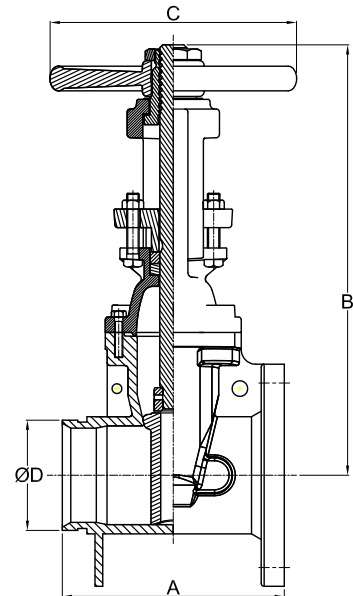
MODEL GV RESILIENT SEATED GATE VALVES



**MODEL GV-OSY-FF
FLANGE/FLANGE**



**MODEL GV-OSY-GG
GROOVE/GROOVE**



**MODEL GV-OSY-FG
FLANGE/GROOVE**

GLOBE OS&Y GATE VALVE WEIGHTS and DIMENSIONS								
NOMINAL VALVE SIZE	NOMINAL DIMENSIONS <i>Inches (mm)</i>					APPROX. WEIGHT <i>lbs. (kg)</i>		
	A	B (OPEN)	B (CLOSED)	C	D	MODEL GV-OSY-FF	MODEL GV-OSY-GG	MODEL GV-OSY-FG
ANSI <i>Inches (DN)</i>								
2 1/2 (65)	7 1/2 (190.5)	15 1/2 (393.7)	13 (330.2)	7 (177.8)	2 7/8 (73.0)	43 (20)	32 (14)	39 (18)
					(76.1)			
3 (80)	8 (203.2)	19 1/2 (495.3)	16 (406.4)	8 (203.2)	3 1/2 (88.9)	59 (27)	44 (20)	50 (23)
4 (100)	9 (228.6)	21 3/4 (552.5)	17 3/4 (450.85)	10 (254.0)	4 1/2 (114.3)	76 (35)	54 (25)	65 (30)
6 (150)	10 1/2 (266.7)	29 1/2 (749.3)	24 1/4 (615.95)	12 (304.8)	6 1/2 (165.1)	123 (56)	102 (46)	114 (52)
					6 5/8 (168.3)			
8 (200)	11 1/2 (292.1)	37 1/4 (946.2)	29 (736.6)	14 (355.6)	8 5/8 (219.1)	206 (94)	160 (73)	178 (81)
10 (250)	13 (330.2)	44 (1117.6)	33 3/4 (857.25)	16 (406.4)	10 3/4 (273.1)	314 (143)	225 (102)	254 (115)
12 (300)	14 (355.6)	52 1/4 (1327.2)	40 (1016.0)	18 (457.2)	12 3/4 (323.9)	449 (204)	354 (161)	406 (185)